

# 721 Data Sheet

## Description:

### Model 721 ACCU-CODER

\_\_\_\_\_ Pulses Per Shaft Revolution

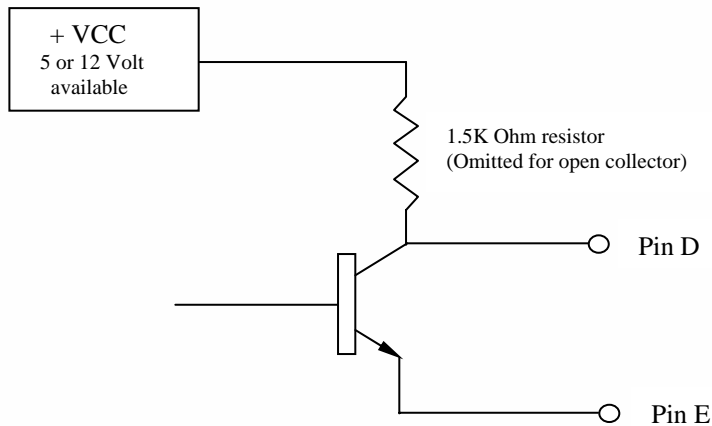
**120 VAC** Input Voltage

\_\_\_\_\_ Single or Double Ended Shaft

\_\_\_\_\_ VDC Output Signal Amplitude

\_\_\_\_\_ Housing Type

Wiring Information		
Terminal (HD only)	Pin #	Function
1	A	120 VAC
2	B	120 VAC Neutral
3	C	No Connection
4	D	Output Signal
5	E	Output Common
6	F	Case GND (Encoder case ground must be provided to prevent possible electrical shock.)



Technical Bulletin 512