

Motion Feedback for Autonomous Vehicles and Robots

Whether you're working on Automated Guided Vehicles (AGV), Automated Guided Carts (AGC), Autonomous Mobile Robots (AMR), or any of the other designations being used, Encoder Products Company has the encoders you need to ensure precise, reliable motion feedback.

Forklift-Type AMRs

Lift Control (1)

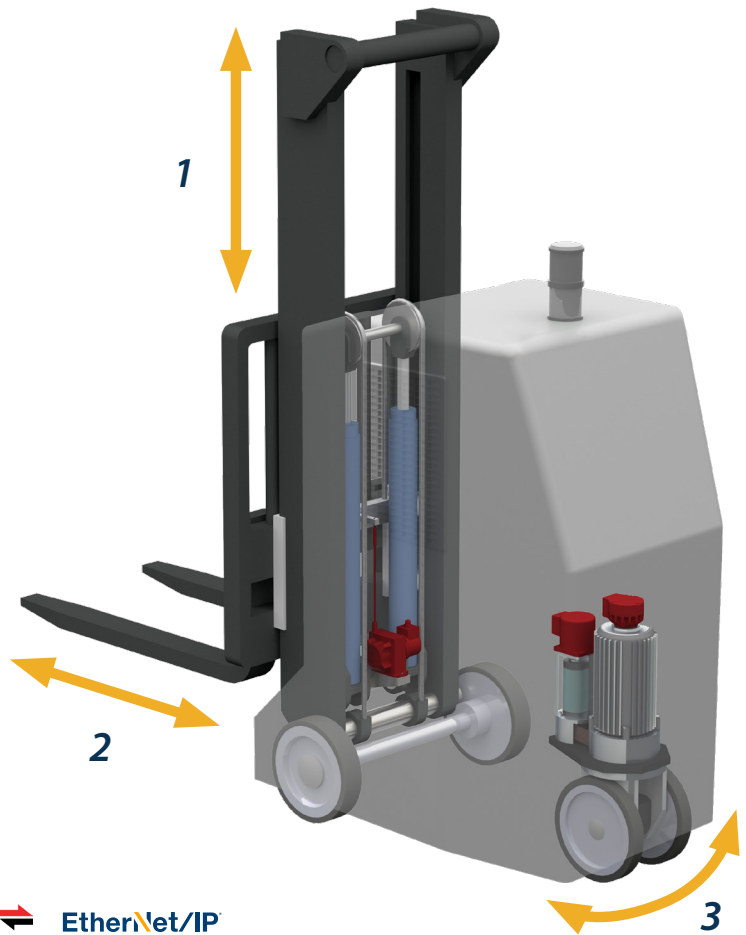
Get precise, accurate motion feedback to ensure that products and materials get where they need to go, undamaged.

Drive Motor (2)

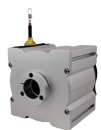
Get reliable motion feedback to ensure that they remain in designated transit corridors/ areas, and to ensure accurate stopping and starting.

Steering Assembly (3)

Absolute encoders ensure smart positioning, providing exact location in a 360-degree rotation.



ENCODERS TYPICALLY USED ON FORKLIFT-TYPE AUTONOMOUS MOBILE ROBOTS



Model LCX



Model TR1



Model 15T



Model 260



Model 802S



Model A36HB



Model A58SB



Model A36R

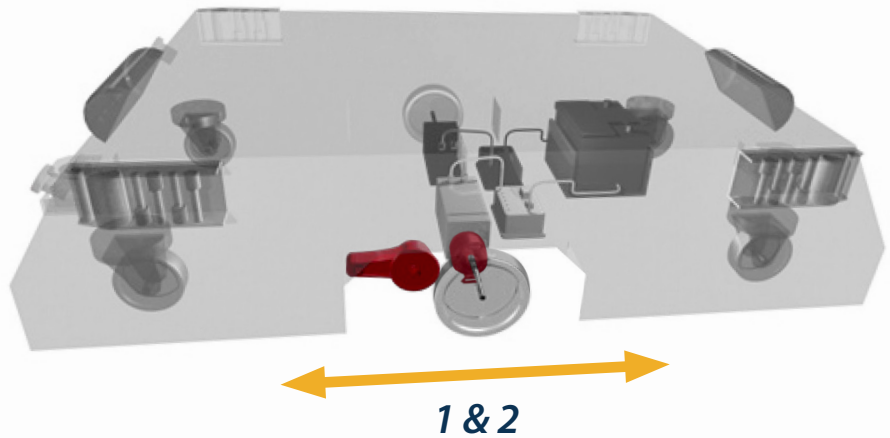
Motion Feedback for Automatic Guided Carts (AGCs)

Drive Motor (1)

Motion feedback on drive motors is one of our specialties. We have the compact encoders you need, and the expertise to help you spec the right solution.

Drive Wheel (2)

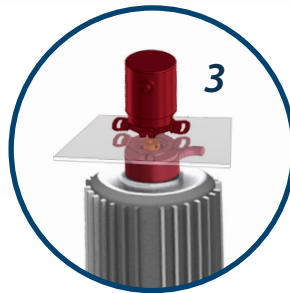
EPC has the compact encoders you need for your compact AGC drive wheel.



Redundant Encoders (3)

Using two encoders for dual output provides even more reliable motion feedback.

Ask us how.



See Encoders in Action!

Encoders on the Job

Omni-directional lift carts make material handling easy.



ENCODERS TYPICALLY USED ON AUTOMATIC GUIDED CARTS



Model TR1



Model 15T



Model 260



Model A36HB



Model A36R



Model A58HB

Learn More



Not sure which motion feedback is right for your application? Give us a call.

When you call EPC, you talk to real engineers and encoder experts who can help you specify the right encoder solution for your motion control application.