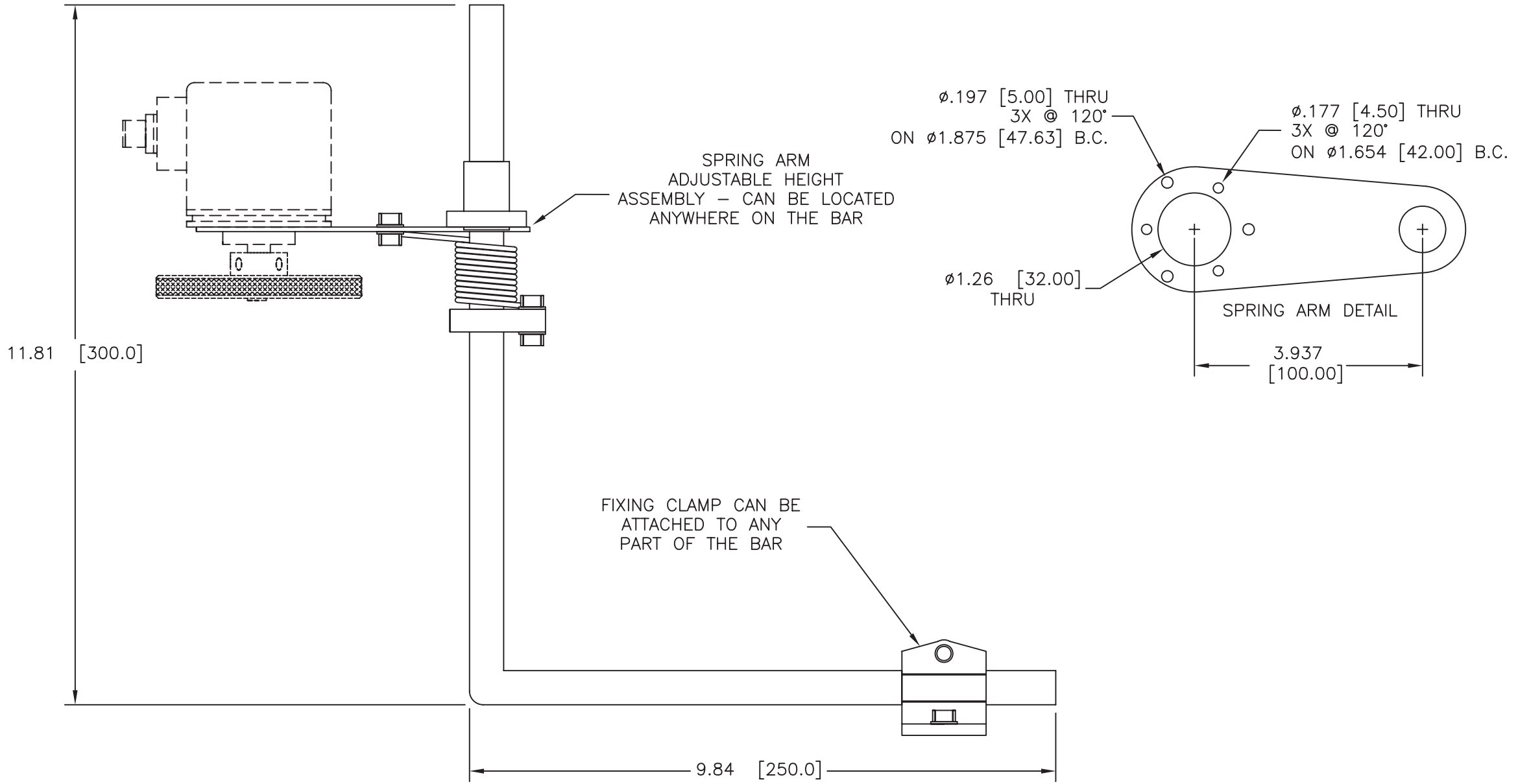


REVISIONS		
REV	DESCRIPTION	DATE
-	INITIAL RELEASE	05/14/08



THIRD ANGLE PROJECTION	
DIMENSIONS ARE IN INCHES	
ISSUE DATE 05/15/08	TOLERANCES
NEXT ASSEM.	DECIMAL \pm .005
PREV. ASSEM.	DECIMAL \pm .01
PART NUMBER	ANGULAR \pm .1°

		www.encoder.com	
APPROVALS	DATE	NAME AND TITLE	
DRAWN GMA	05/13/08	SPRING BRACKET	
CHECKED		DWG NUMBER	
RESP ENG		SpringBracket1	
MFG ENG		DWG SIZE	REV.
QUAL ENG		B	—
		SCALE	SHEET 1 OF 1
		NONE	