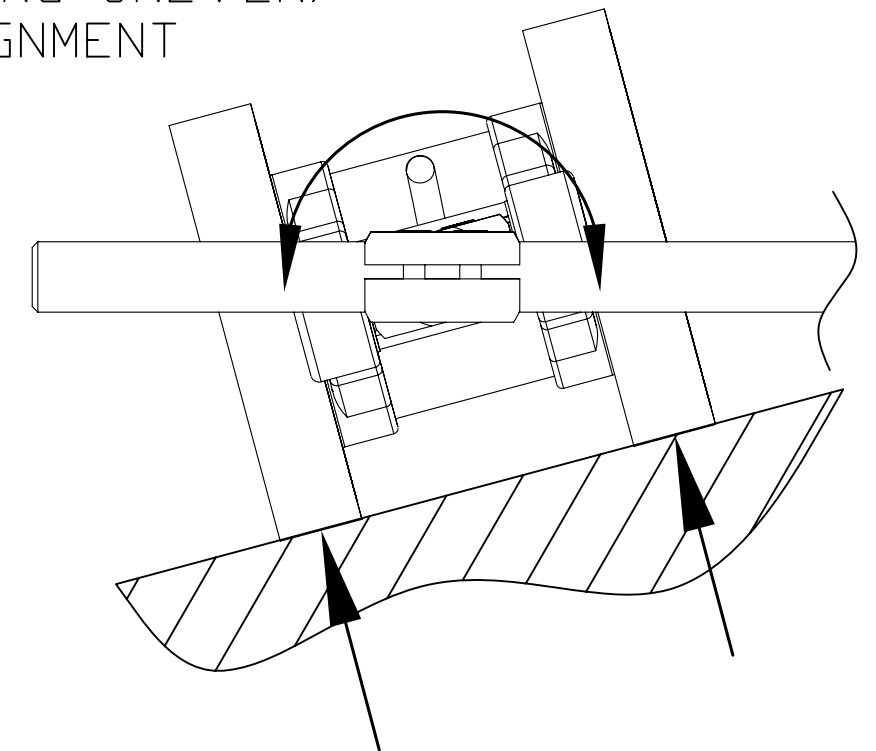
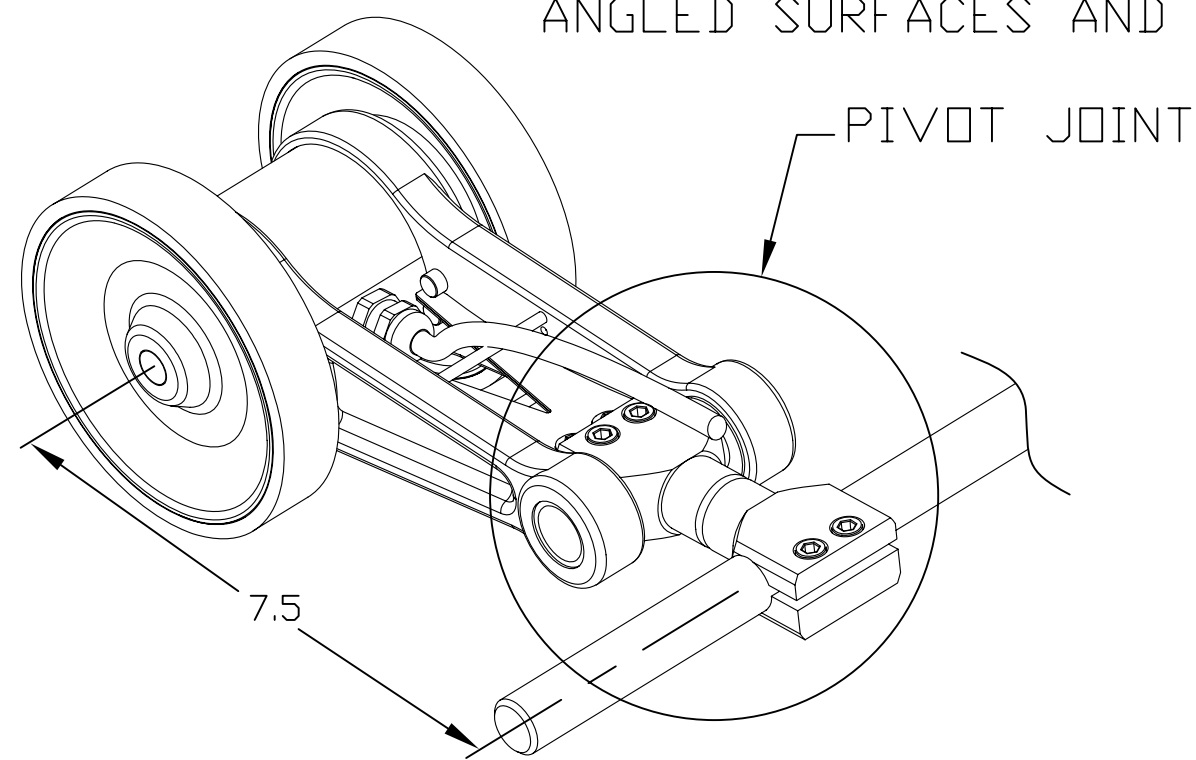


| REVISIONS | | |
|-----------|---------------------|------|
| REV. | DESCRIPTION | DATE |
| 00 | PRELIMINARY RELEASE | DATE |
| | | |
| | | |


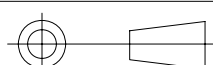
ALLOWS UNIT TO ROTATE FREELY TO MAINTAIN EQUAL PRESSURE ON BOTH WHEELS, ACCOMODATING UNEVEN/ ANGLED SURFACES AND MOUNTING MISALIGNMENT



TR3-PIVOT

NOTES: UNLESS OTHERWISE SPECIFIED

1. MATERIAL:
2. FINISH: NONE
3. BREAK ALL SHARP EDGES

| | | | | | |
|---|-------------------|--|----------|------------------------|--------------|
| THIRD ANGLE PROJECTION | |  ENCODER PRODUCTS COMPANY | | www.encoder.com | |
|  | | APPROVALS | DATE | NAME AND TITLE | |
| DIMENSIONS ARE IN INCHES | | DRAWN | 12/28/09 | TR3 DOUBLE WHEEL PIVOT | |
| ISSUE DATE: xx/xx/xx | TOLERANCES | CHECKED | | DWG. NO. TR3-PIVOT | |
| NEXT ASSEM. XXX | DECIMAL ± .005 | RESP ENG | | REV. 00 | |
| PREV. ASSEM. XXX | DECIMAL ± .01 | MFG ENG | | | |
| PART NUMBER <> | ANGULAR ± 1 | QUAL ENG | | SCALE: NONE | DWG. SIZE: B |
| | | | | SHEET 1 OF 1 | |