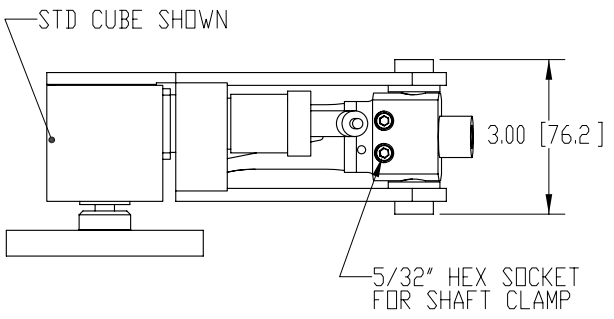
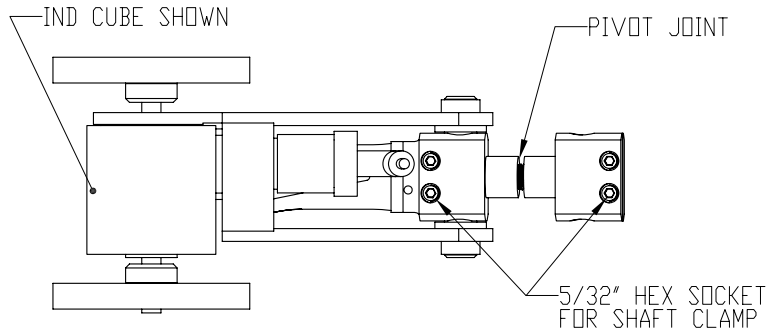


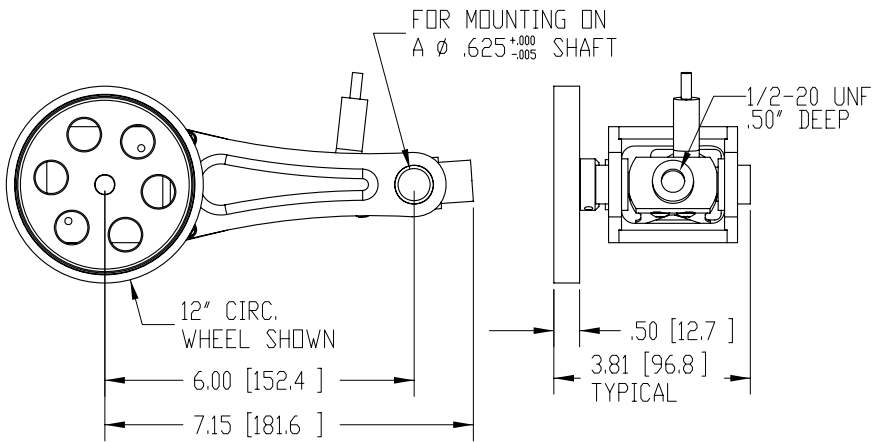
REVISIONS		
REV.	DESCRIPTION	DATE
A	INITIAL RELEASE PER ECD 06085 JP	11/18/10



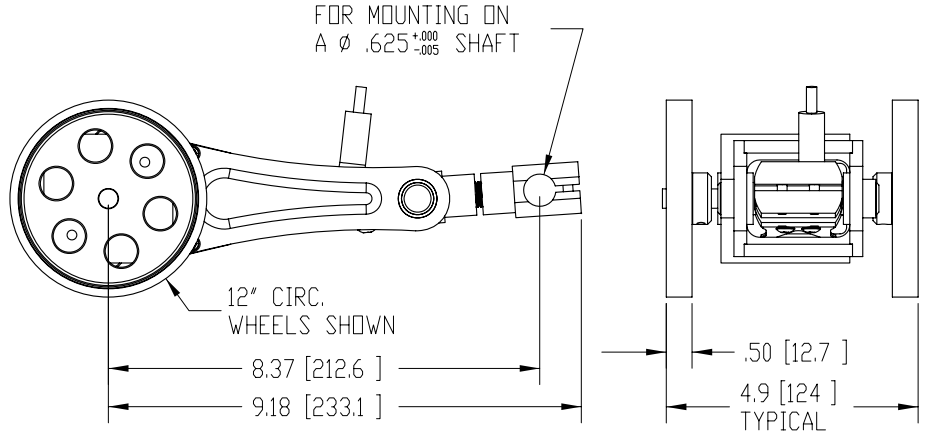
CUBE-PIVOT



CUBE-PIVOT



SINGLE PIVOT



DOUBLE PIVOT

THIRD ANGLE PROJECTION		<b>ENCODER</b> PRODUCTS COMPANY <a href="http://www.encoder.com">www.encoder.com</a>	
APPROVALS		DATE	NAME AND TITLE
DRAWN	NNP	09/13/10	CUBE PIVOT BRACKET CATALOG DRAWING
ISSUE DATE:	TOLERANCES	CHECKED	DWG. NO.
11/18/10	DECIMAL ± .005	RESP ENG	CUBE-PIVOT
NEXT ASSEM	DECIMAL ± .01	QUAL ENG	REV. A
PART NUMBER	ANGULAR ± 1	SCALE: NONE	DWG. SIZE: B
			SHEET 1 OF 1