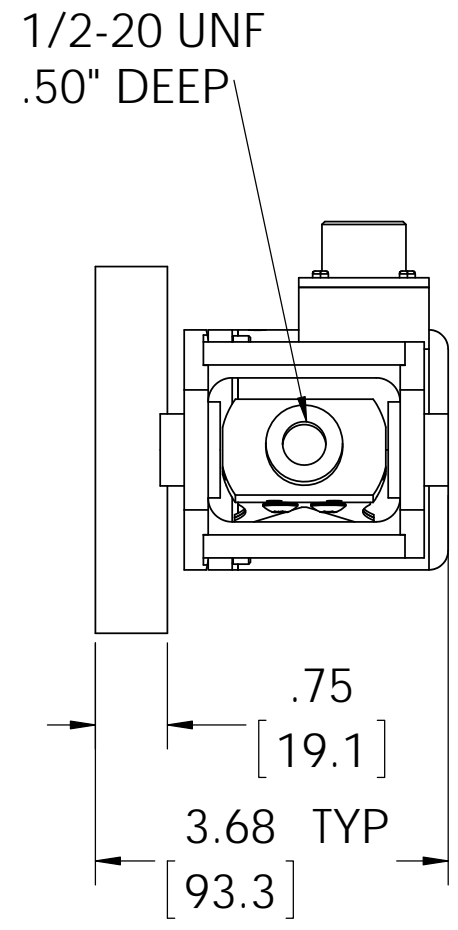
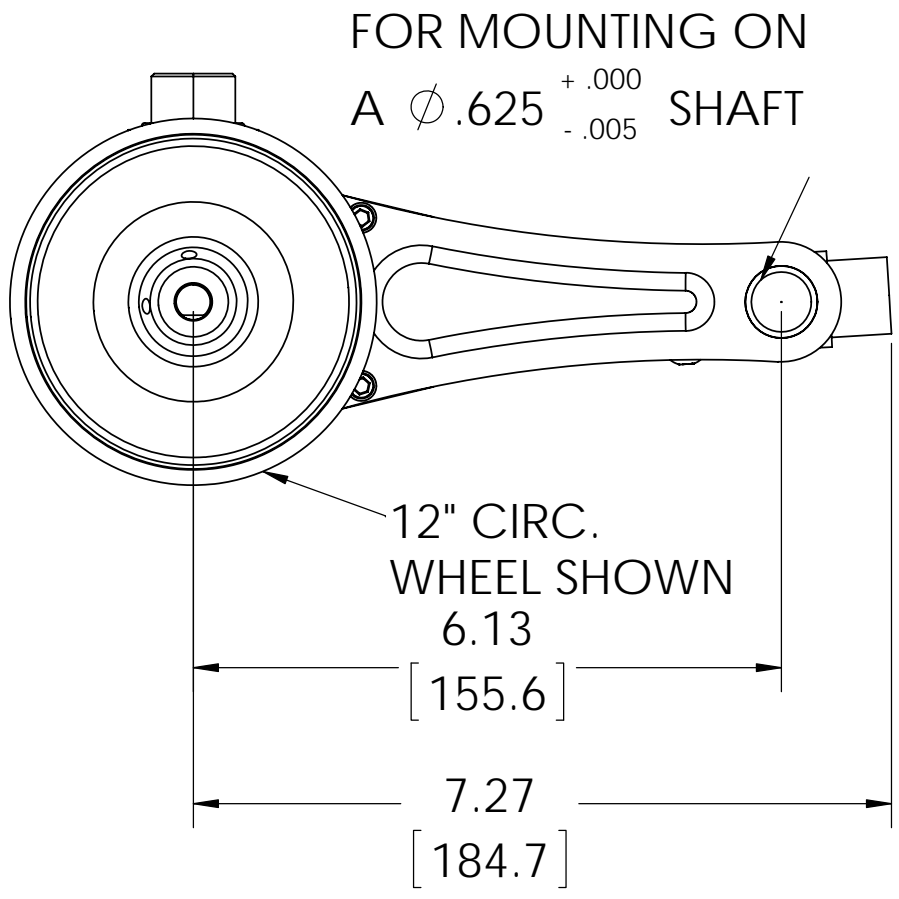
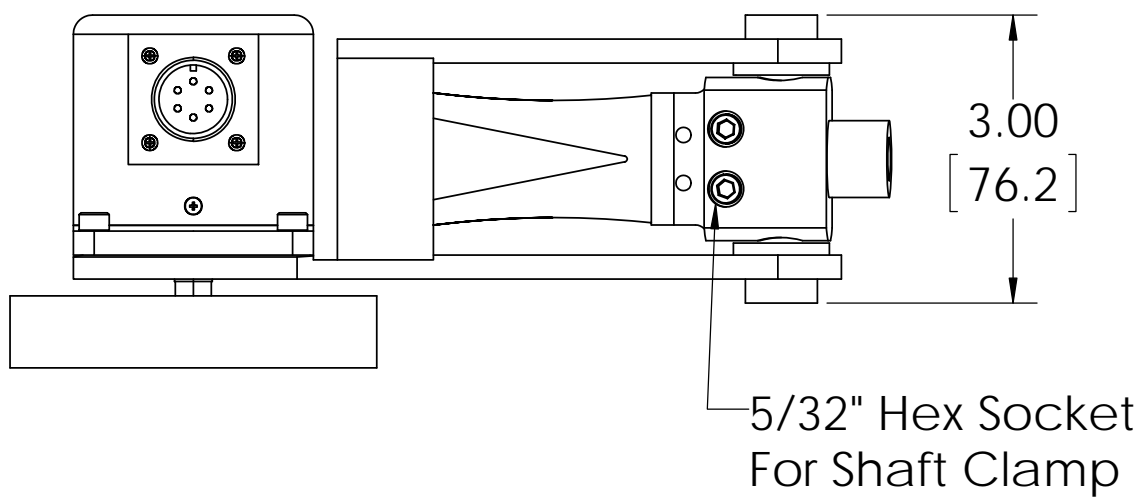


REVISIONS		
REV.	DESCRIPTION	DATE
-	INITIAL RELEASE PER ECO 07370	2/20/18



THIRD ANGLE PROJECTION		 ENCODER PRODUCTS COMPANY	www.encoder.com	
APPROVALS	DATE		NAME AND TITLE	
DRAWN	GJ	01/17/18	25 PIVOT BRACKET CATALOG DRAWING	
ISSUE DATE:	2/20/18	CHECKED		
NEXT ASSEM.	DECIMAL ± .005	RESP ENG	DWG. NO. 25-PIVOT	
PREV. ASSEM.	DECIMAL ± .01	MFG ENG	REV. -	
PART NUMBER	ANGULAR ± 1	QUAL ENG	SCALE: NONE	DWG. SIZE: B
			SHEET	1 OF 1