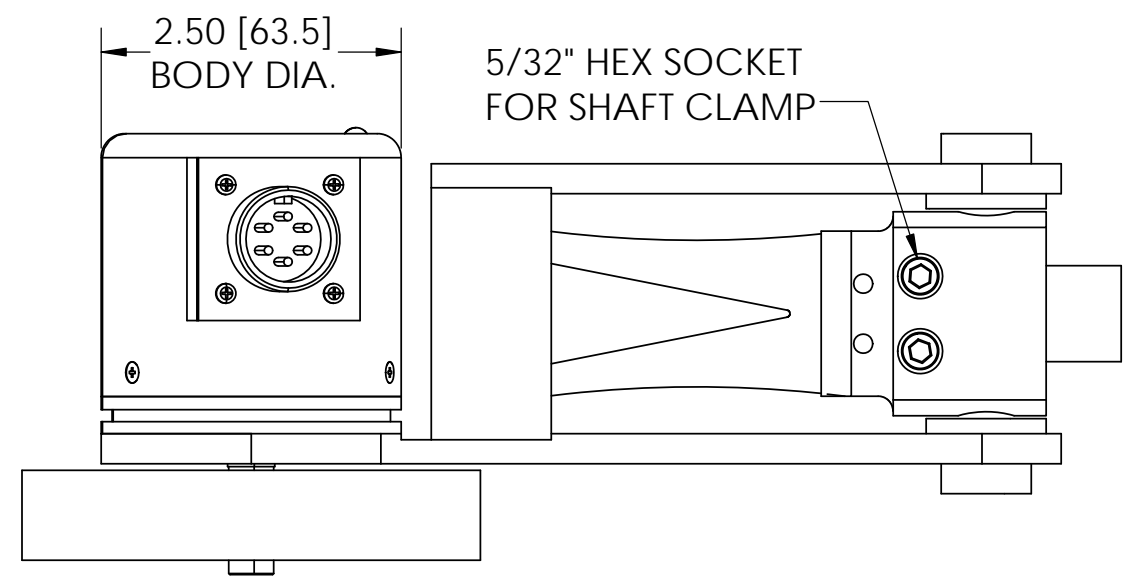
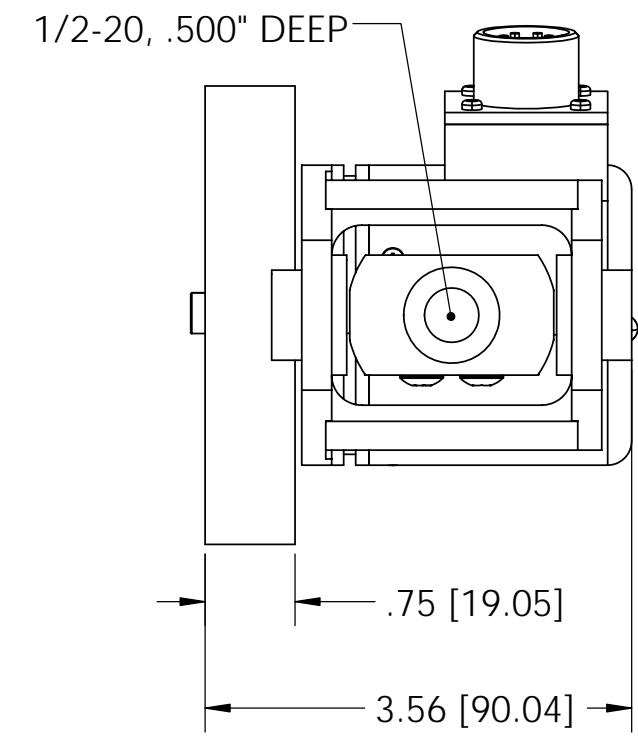
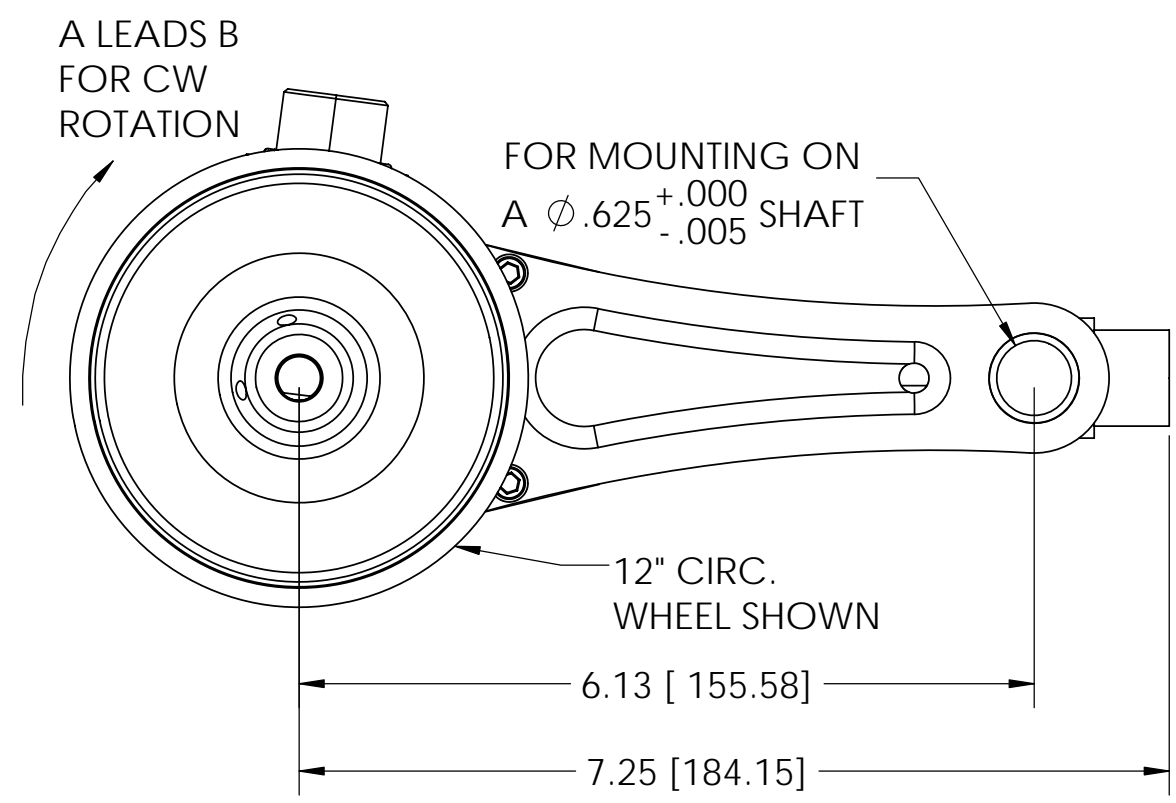


REVISIONS			
REV.	DESCRIPTION	APPR	DATE
-	INITIAL RELEASE	07820	01/15/20



THIRD ANGLE PROJECTION		ENCODER PRODUCTS COMPANY www.encoder.com	APPROVALS		DATE	NAME AND TITLE
			DRAWN		01/14/20	
DIMENSIONS ARE IN INCHES		CHECKED		Gunnar J.		DWG. NO. UNIV-PIVOT
ISSUE DATE:	TOLERANCES	RESP ENG		MFG ENG		
01/15/20	DECIMAL $\pm .005$	QUAL ENG				-
NEXT ASSEM.	DECIMAL $\pm .01$	SCALE: NONE		DWG. SIZE: B	SHEET 1 OF 1	
PREV. ASSEM.	ANGULAR ± 1					
176742-02						