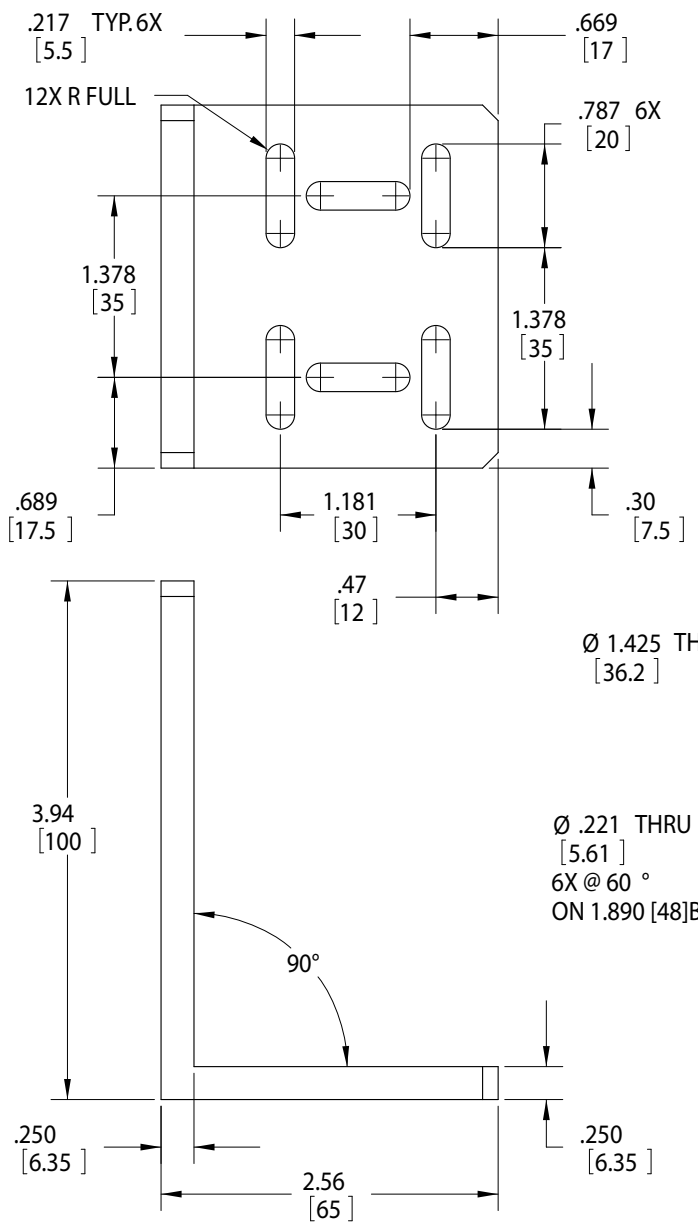
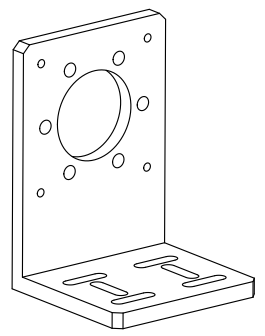
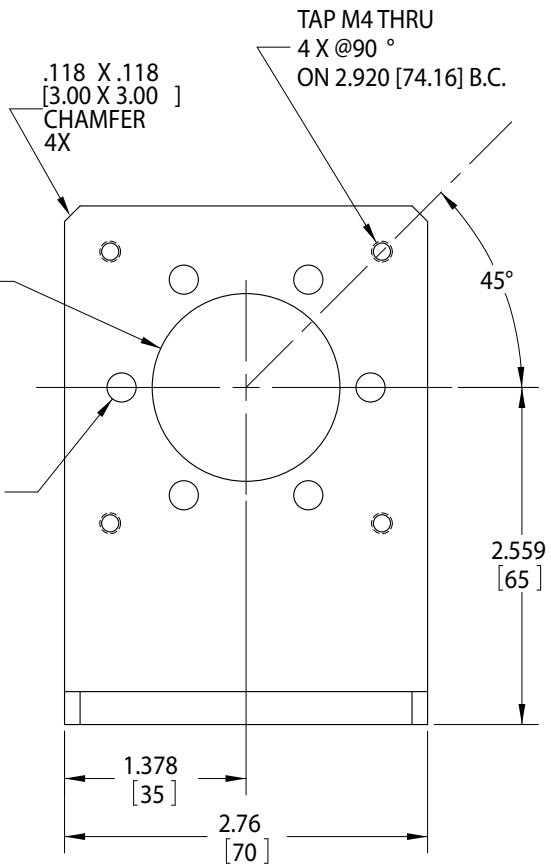


REVISIONS		
REV.	DESCRIPTION	DATE
-	INITIAL RELEASE PER ECO 05408	1/15/08
A	ECO 05851 GMA	10/02/09



fmb-1



THIRD ANGLE PROJECTION		APPROVALS		DATE	NAME AND TITLE	
		DRAWN	NNP	1/15/08	FOOT MOUNT BRACKET # 1	
DIMENSIONS ARE IN INCHES		CHECKED			DWG. NO. <b>fmb-1</b>	
ISSUE DATE	TOLERANCES	RESP ENG			REV.	A
1/15/08	DECIMAL ± .005	MFG ENG				
NEXT ASSEM.	DECIMAL ± .01	QUAL ENG			SCALE: NONE	DWG. SIZE: B
PREV. ASSEM.	ANGULAR ± 1				SHEET 1 OF 1	
PART NUMBER						
140121						

www.encoder.com

fmb-1

REV. A