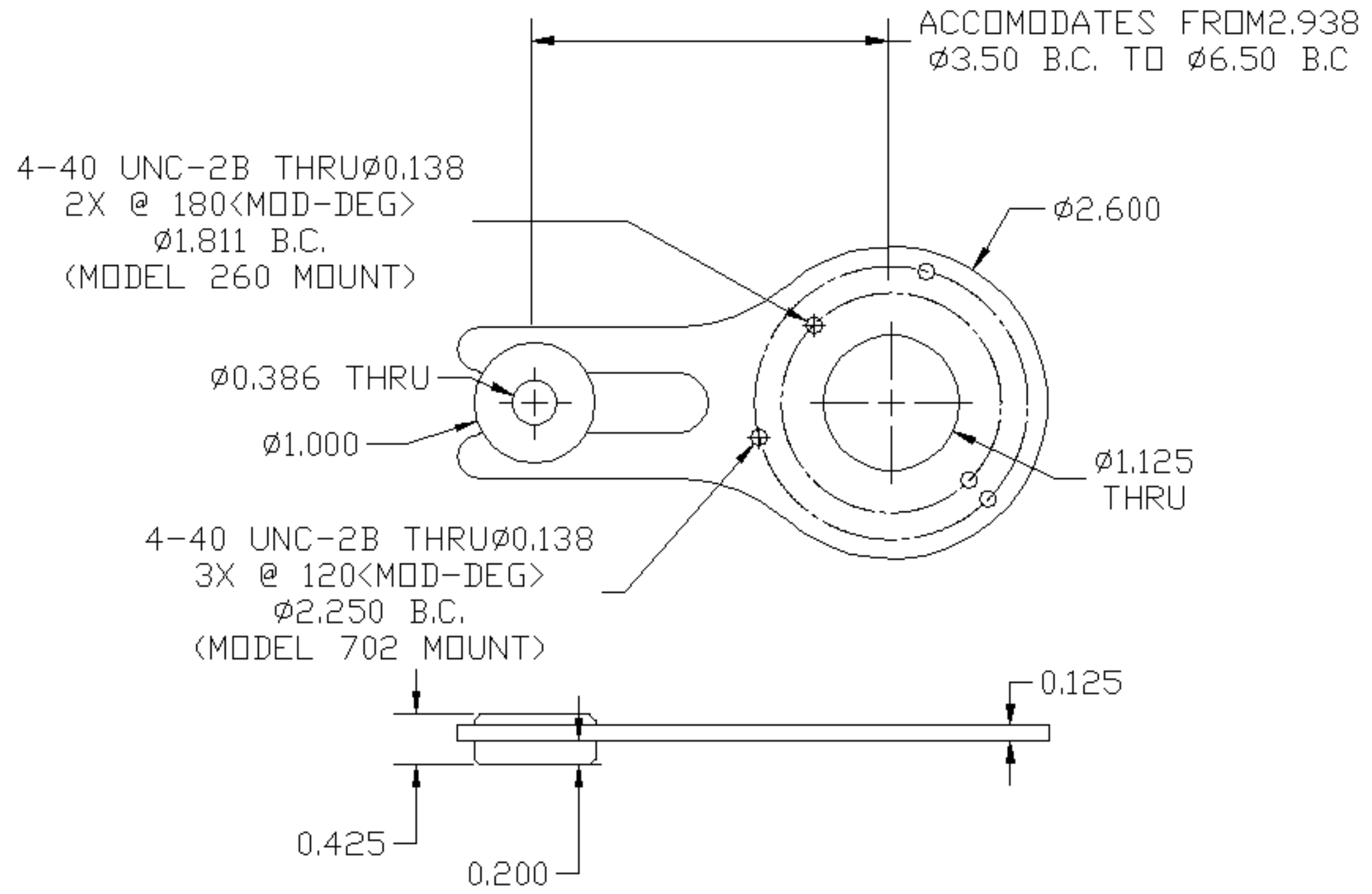


REVISIONS			
REV.	DESCRIPTION	DATE	APPROVED
—	INITIAL RELEASE		



THIRD ANGLE PROJECTION		ENCODER PRODUCTS COMPANY	
		APPROVALS DRAWN TRH	DATE 6/10/02
DIMENSIONS ARE IN INCHES		CHECKED	NAME AND TITLE 260-702 NEMA 56 C-FACE ADAPTER CATALOG DRAWING
ISSUE DATE 6/10/02	TOLERANCES MECHANICAL \pm .005	PREP ENG	DWG NO. NEMA-ADAPTER
NEXT ASSEM	PREV ASSEM MECHANICAL + III	APP ENG	REV. —
PART NUMBER	WELLCAP + 1	QUAL ENG	SCALE NONE
			DWG SIZE B
			SHEET 1 OF 1