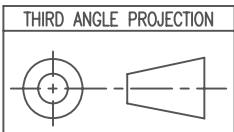
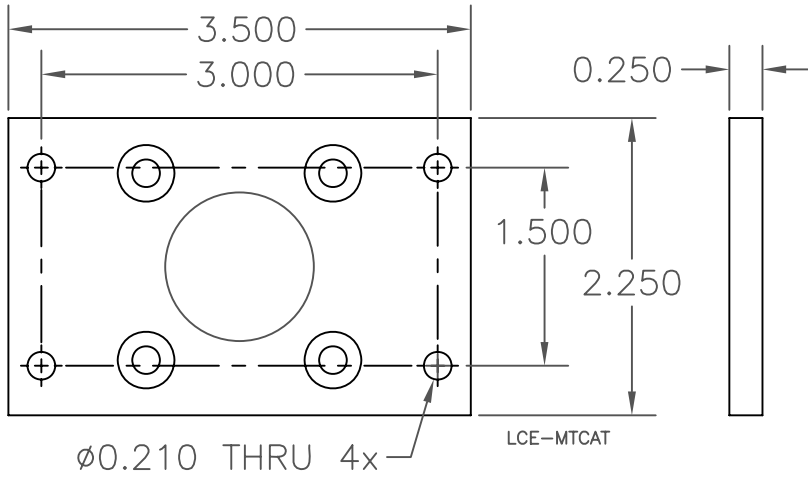



REVISIONS					
LTR	DESCRIPTION	CHK	DATE	APPR	DATE
-	INITIAL PROTOTYPE				



ISSUE DATE M/D/Y	TOLERANCE		ENCODER PRODUCTS COMPANY		
NEXT ASSEMBLY	DECIMAL ± .005	INITIAL	DATE	NAME AND TITLE	
PREV ASSEMBLY	DECIMAL ± .01	DR SBR	5/6/03	LCE MOUNT PLATE	
PART NUMBER EPC P/N	ANGULAR ± .1°	CK	QC	DWG NUMBER	REV.
		MFG	PRJ ENG	LCE-MTCAT	-
				DWG SIZE B	SCALE NONE SHEET 1 OF 1