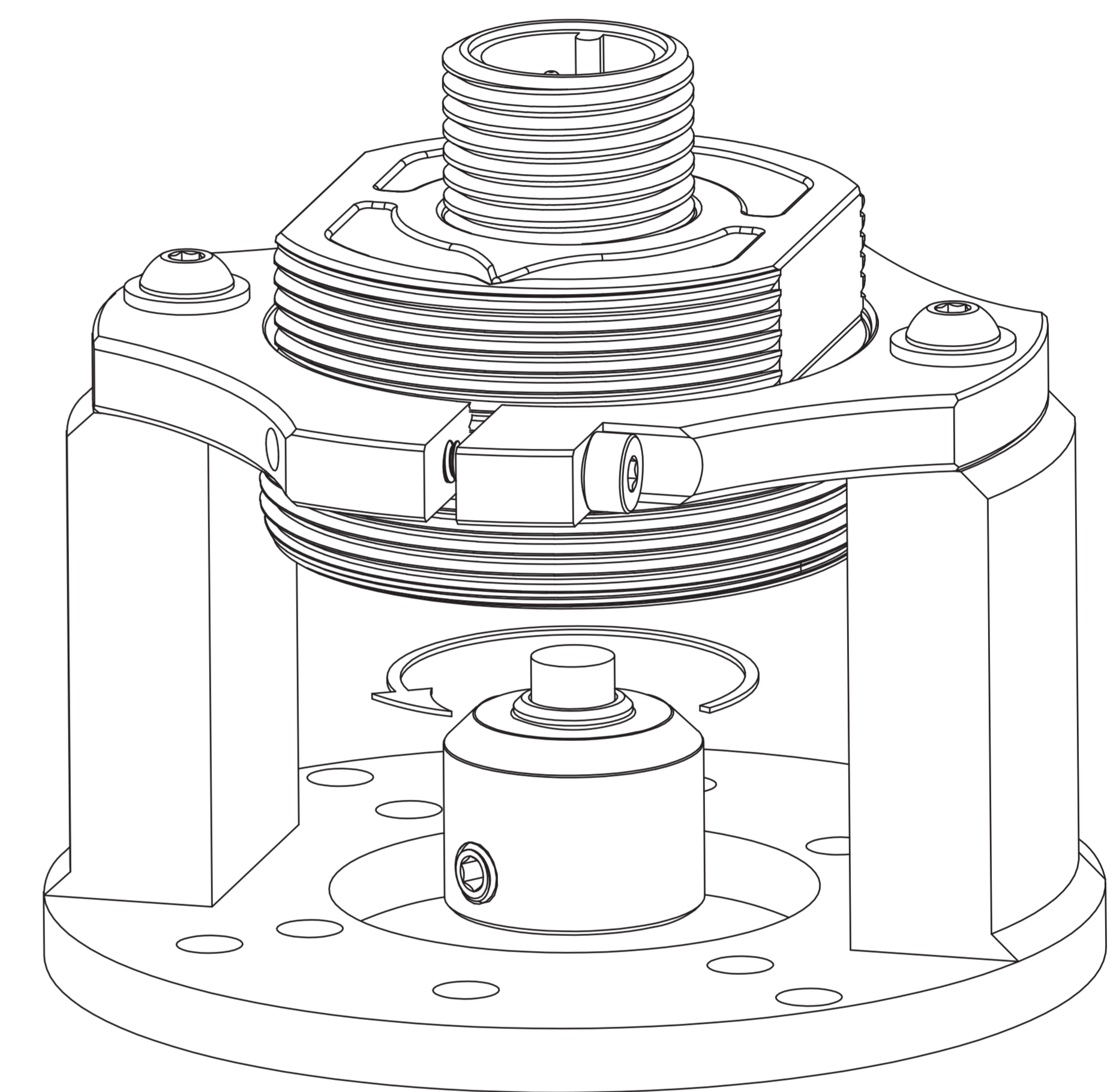
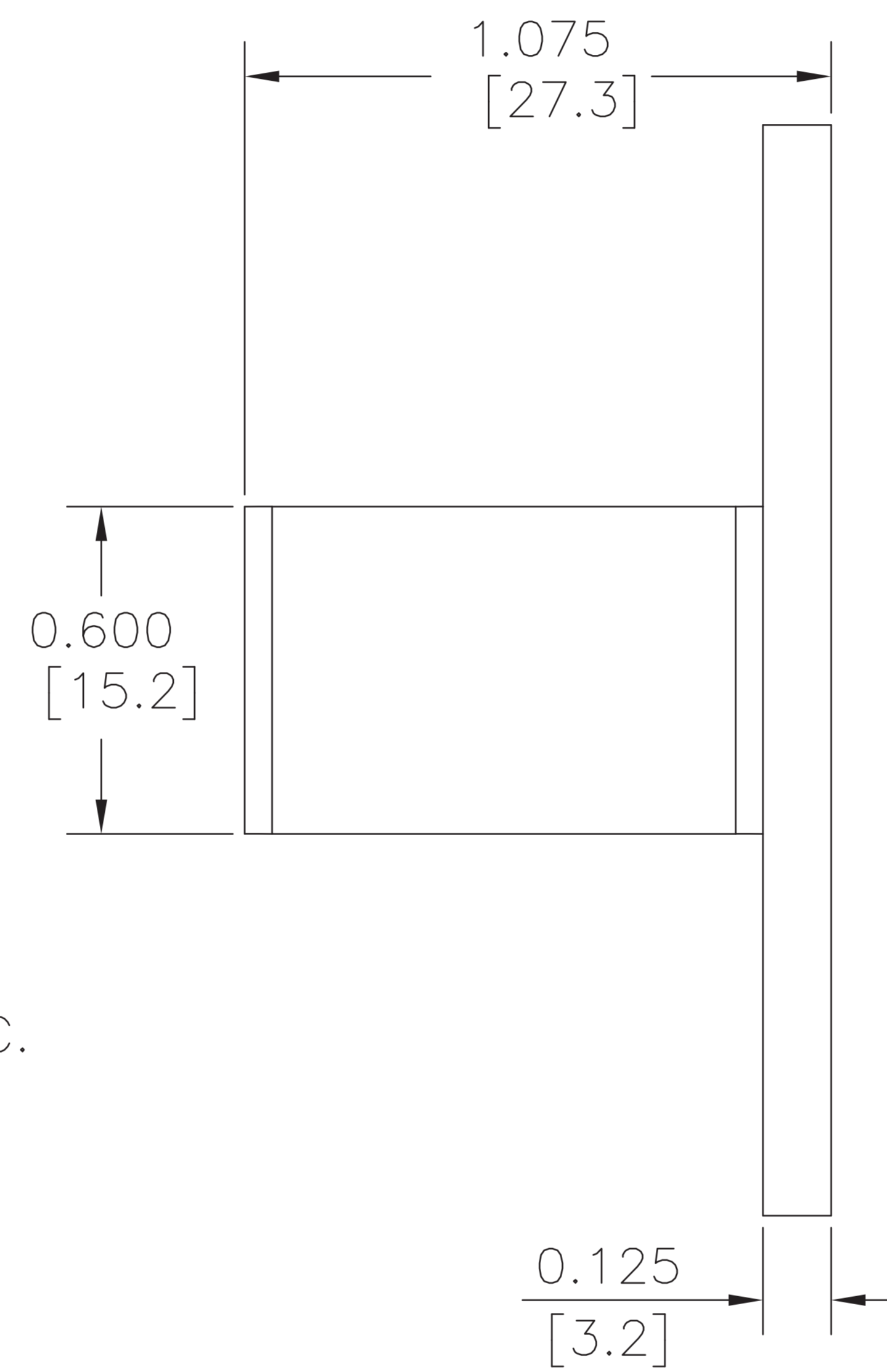
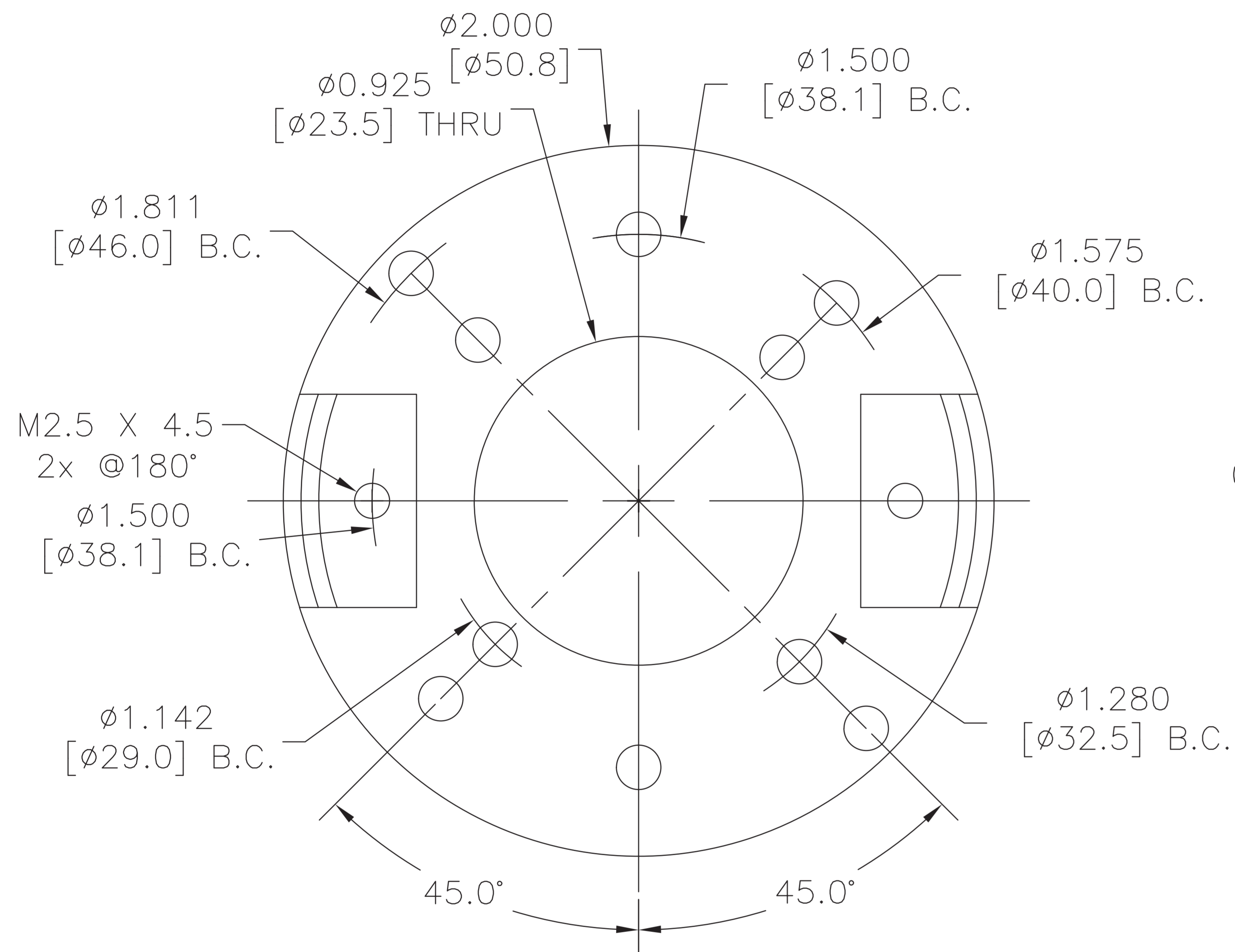
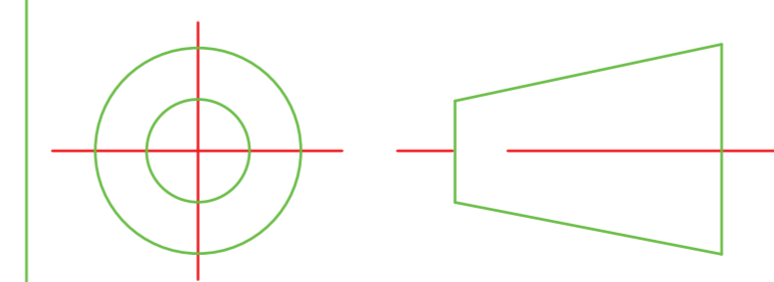


REVISIONS		
REV	DESCRIPTION	DATE
00	ENGINEERING PROTOTYPE	9/15/16
01	ADDED LEADING 0 TO $\phi$ .125 DIMENSION	10/3/16



NOTE: ALL HOLES ARE  $\phi$ 0.125 [3.2] THRU, 2x @180°.

THIRD ANGLE PROJECTION



www.encoder.com

DIMENSIONS ARE IN INCHES		APPROVALS	DATE	NAME AND TITLE	
ISSUE DATE xx/xx/xx	TOLERANCES	DRAWN SBR	9/12/2016	MODEL 30MT	
NEXT ASSEM.	DECIMAL $\pm$ .005	CHECKED		DWG NUMBER	
PREV. ASSEM.	DECIMAL $\pm$ .01	RESP ENG		30MT-ADAPTER	
PART NUMBER	ANGULAR $\pm$ .1°	MFG ENG		DWG SIZE B	SCALE NONE
		QUAL ENG		SHEET 1	OF 1

REV.  
01