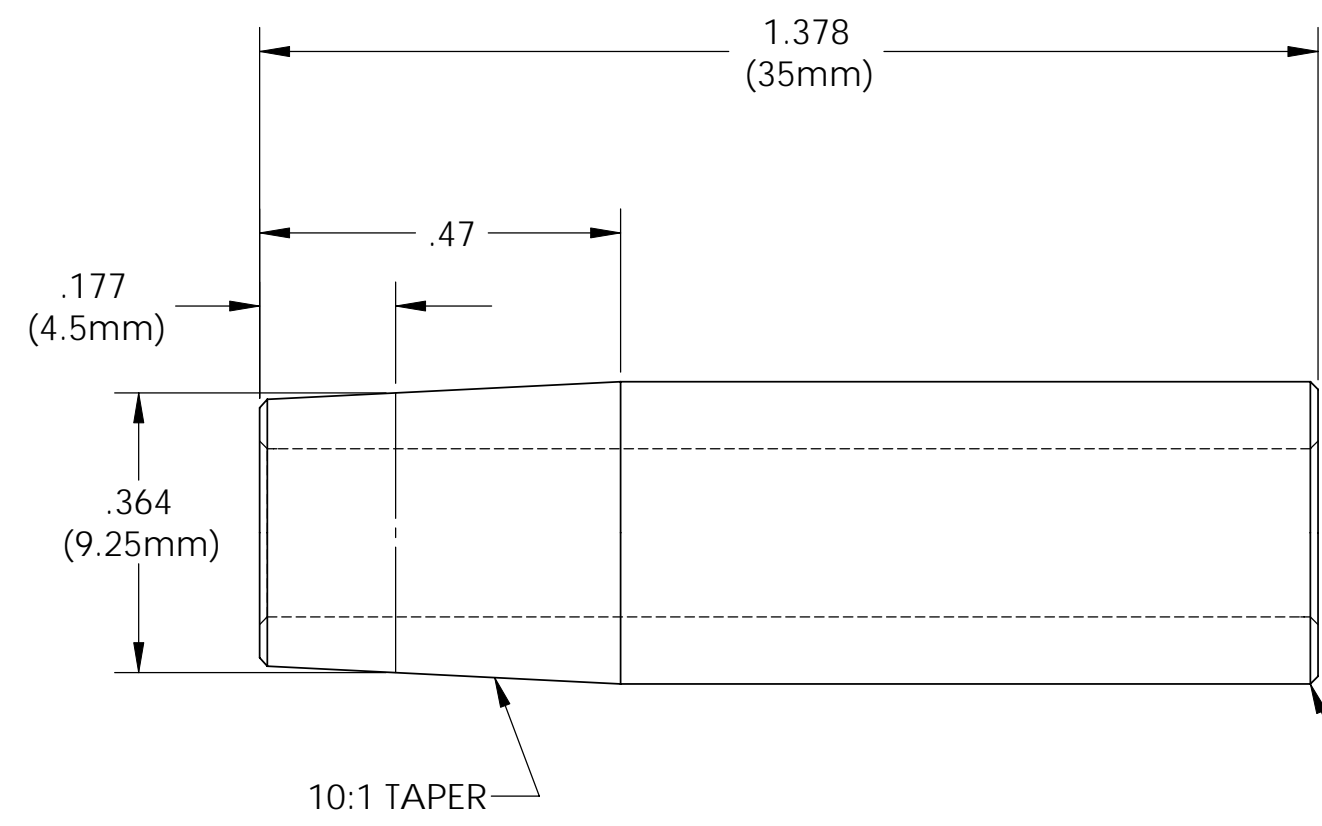
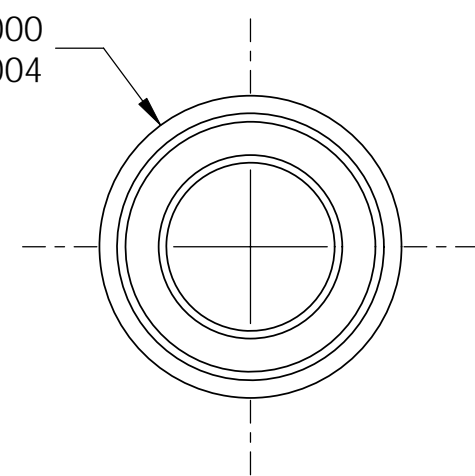


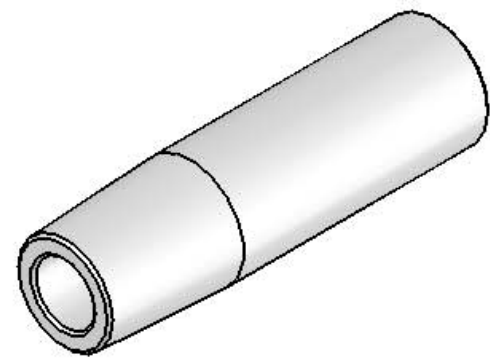
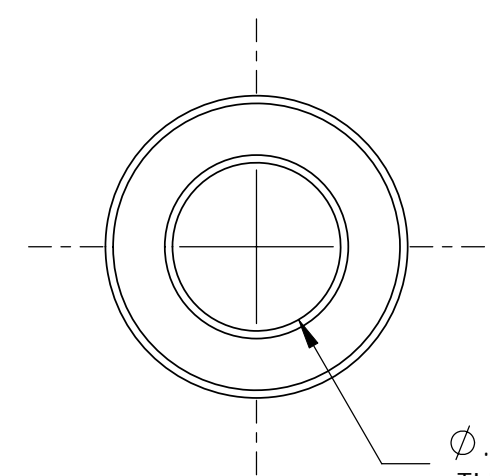
REVISIONS		
REV.	DESCRIPTION	DATE
-	INITIAL RELEASE PER ECO 05931 JP	2/25/10

$\phi .3935^{+.0000}$
 $-.0004$



CHAMFER 0.10 x 0.10
4x

$\phi .219$
THRU



NOTES: UNLESS OTHERWISE SPECIFIED

1. MATERIAL: 302 STAINLESS
2. FINISH: NONE
3. BREAK ALL SHARP EDGES

THIRD ANGLE PROJECTION						www.encoder.com	
APPROVALS		DATE		NAME AND TITLE			
DRAWN TRH		2/4/10		10:1 TAPERED SHAFT, WITHOUT INTERNAL THREADS			
ISSUE DATE: 2/25/10		TOLERANCES		CHECKED		DWG. NO. SCD-109	
NEXT ASSEM.		DECIMAL ± .005		RESP ENG		REV. -	
PREV. ASSEM.		DECIMAL ± .01		MFG ENG		SCALE: NONE	
PART NUMBER 176407		ANGULAR ± 1		QUAL ENG		DWG. SIZE: B	
						SHEET 1 OF 1	