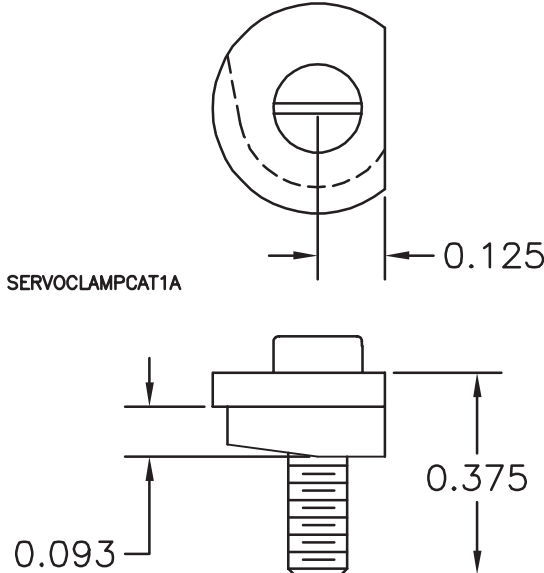



REVISIONS					
LTR	DESCRIPTION	CHK	DATE	APPR	DATE
-	INITIAL RELEASE				
A	ECO 01585 BSR 10-09-02				



ISSUE DATE 9/14/01	TOLERANCE	 ENCODER PRODUCTS COMPANY			
NEXT ASSEMBLY	DECIMAL ± .005	INITIAL	DATE	NAME AND TITLE	
PREV ASSEMBLY	DECIMAL ± .01	DR	BSR 9/12/01	SERVO CLAMP	
PART NUMBER	ANGULAR ± .1°	CK		DWG NUMBER	REV.
		QC		SERVOCLAMPCAT1	A
		MFG		DWG SIZE	SCALE
		PN BIR		SHEET	OF

