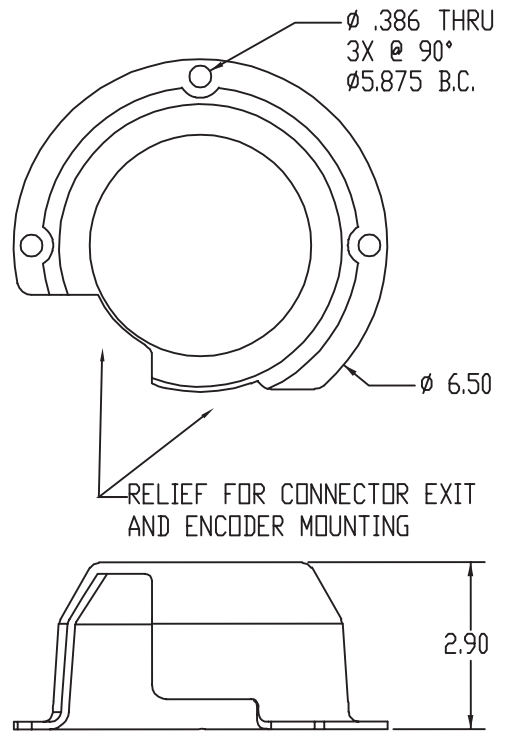


8 7 6 5 4 3 2 1

REVISIONS			
REV.	DESCRIPTION	DATE	APPROVED
--	INITIAL RELEASE		



D
C
B
A

D
C
B
A

THIRD ANGLE PROJECTION		APPROVALS		ENCODER PRODUCTS COMPANY	
		DRAWN	DATE	NAME AND TITLE	
		TRH	6/10/02	PROTECTIVE COVER	
DIMENSIONS ARE IN INCHES		CHECKED		CATALOG DRAWING	
ISSUE DATE	TOLERANCES			DWG. NO.	REV.
6/10/02	BUSINESS			260-COVER	--
NEXT ASSEMBLY	± .005				
PREV. ASSEMBLY	± .01				
PART NUMBER	± .1			SCALE: NONE	DWG. SIZE: B
					SHEET 1 OF 1

7 6 5 4 3 2 1