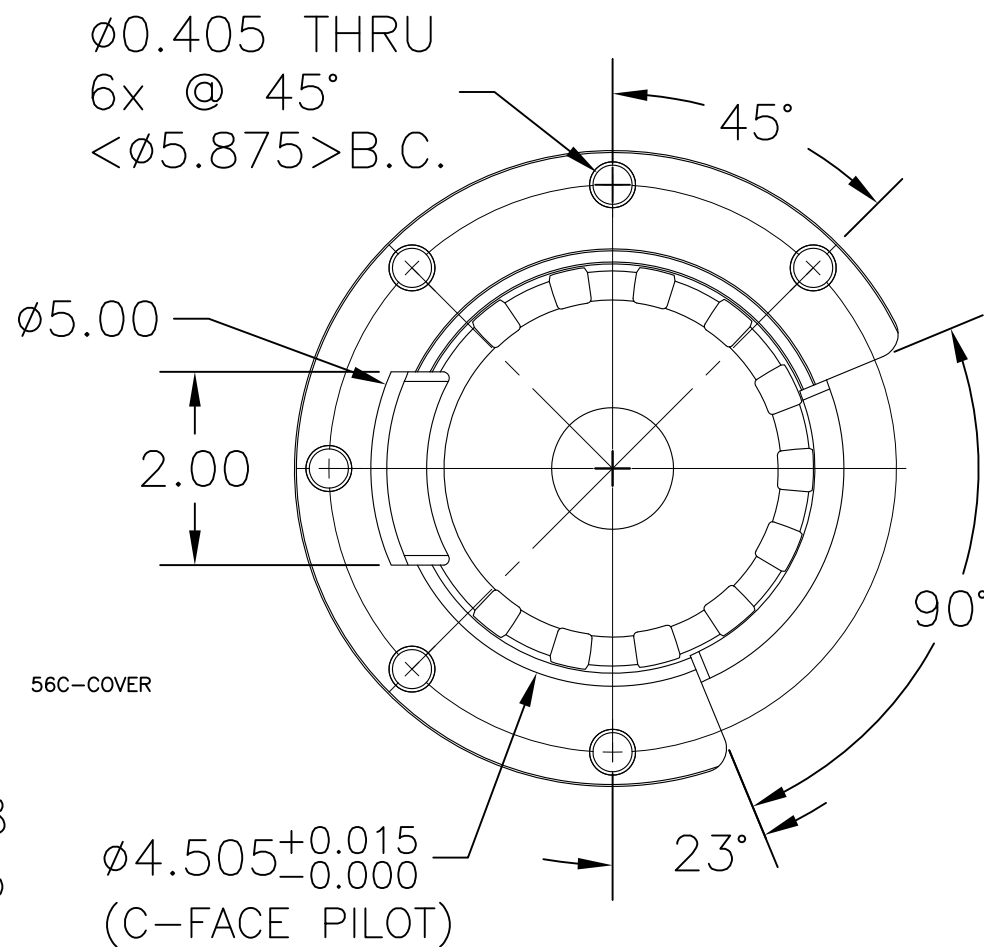
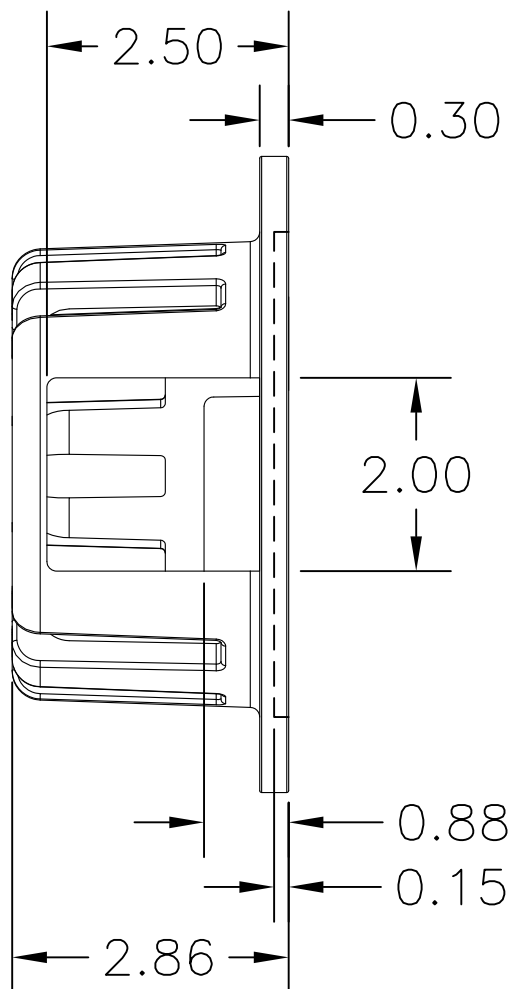
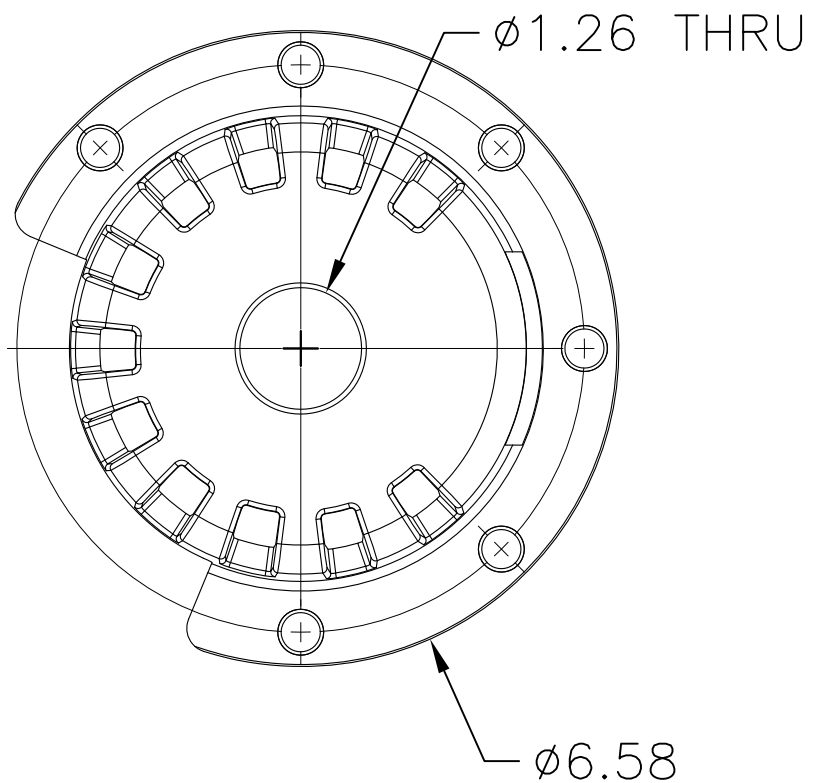
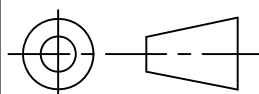


REVISIONS		
REV	DESCRIPTION	DATE
-	INITIAL RELEASE	07/02/08
A	ECO 06689 JP	03/25/14



THIRD ANGLE PROJECTION



www.encoder.com

DIMENSIONS ARE IN INCHES		APPROVALS	DATE	NAME AND TITLE	
ISSUE DATE	TOLERANCES	DRAWN	CHECKED	56C PROTECTIVE COVER	
07/02/08		GMA	06/27/08		
NEXT ASSEM.	DECIMAL	RESP ENG		DWG NUMBER	REV.
	$\pm .005$			56C-COVER	A
PREV. ASSEM.	DECIMAL	MFG ENG			
	$\pm .01$				
PART NUMBER	ANGULAR	QUAL ENG		DWG SIZE	SCALE
	$\pm .1^\circ$			B	NONE
				SHEET 1	OF 1