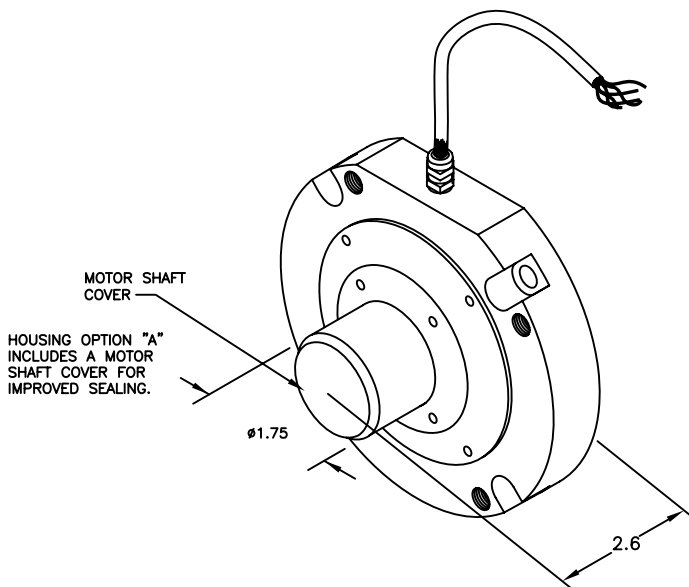



REVISIONS					
LTR	DESCRIPTION	CHK	DATE	APPR	DATE
A	SEE ECO 01185				
B	ECO 01567 BSR 9/17/02				



770-IS08

ISSUE DATE 2/15/96	TOLERANCE	 ENCODER PRODUCTS COMPANY			
NEXT ASSEMBLY	DECIMAL ± .005	INITIAL	DATE	NAME AND TITLE	
PREV ASSEMBLY	DECIMAL ± .01	CK	QC	MODEL 770 ISOMETRIC	
PART NUMBER	ANGULAR ± .1°	MFG	PRI ENG	DWG NUMBER 770-ISO	REV. B
			DWG SIZE	SCALE	SHEET OF