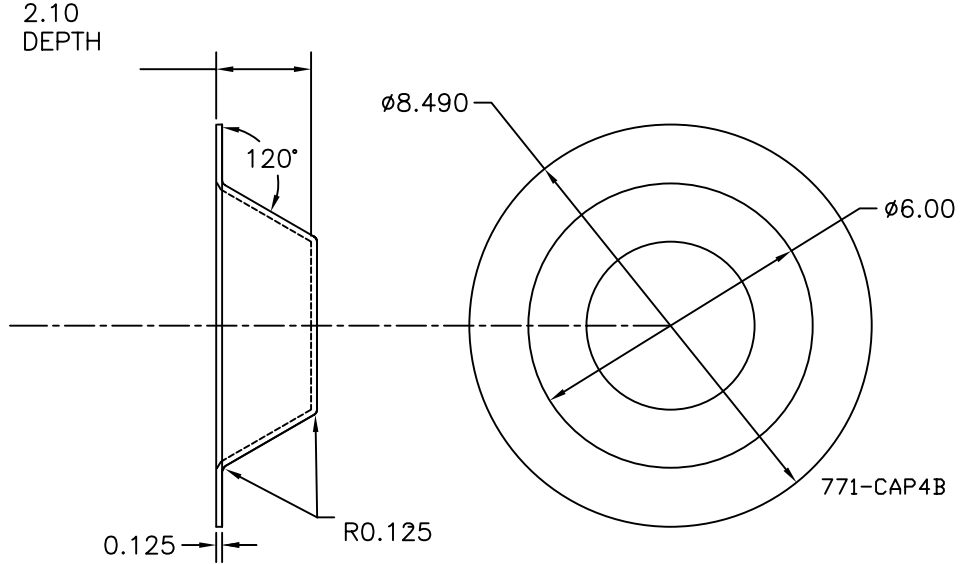
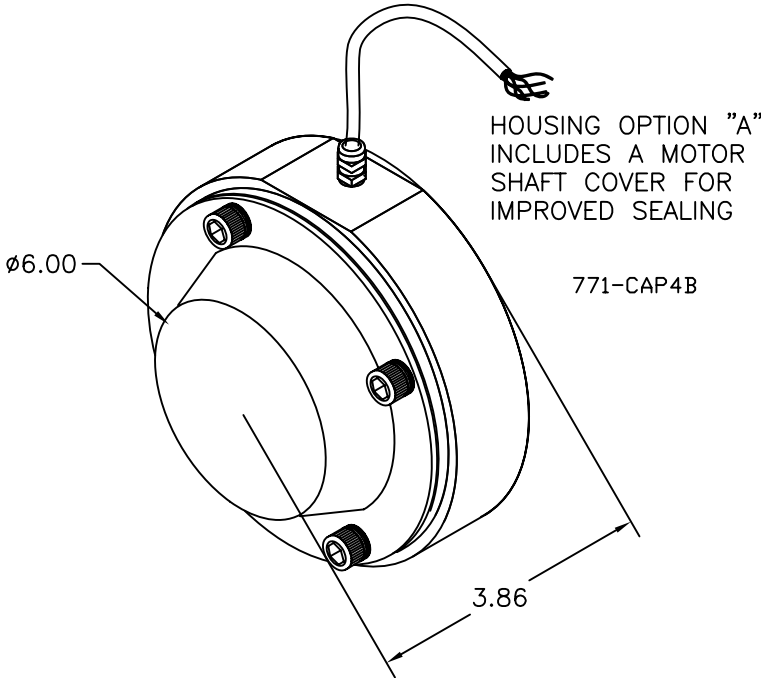
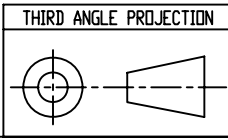


REVISIONS					
LTR	DESCRIPTION	CHK	DATE	APPR	DATE
00	INITIAL RELEASE				
A	SEE ECD 00833				
B	SEE ECD 01185				



NOTES:
 1.) THICKNESS MINIMUM OF 0.10 INCH
 2.) MATERIAL: ALUMINUM 6061 PREFERRED



ISSUE DATE 7/29/98	TOLERANCE	(EPC) ENCODER PRODUCTS COMPANY			
NEXT ASSEMBLY	DECIMAL ± .005	INITIAL DR GDB	DATE 10/4/99	NAME AND TITLE 771 CAP INSTALLATION W/ CRITICAL DIMENSIONS	
PREV ASSEMBLY	DECIMAL ± .01	CK		DWG NUMBER	REV.
PART NUMBER 771-CAP4	ANGULAR ± .1°	MFG		771-CAP4	B
		PRJ ENG	DWG SIZE B	SCALE NONE	SHEET 1 OF 1