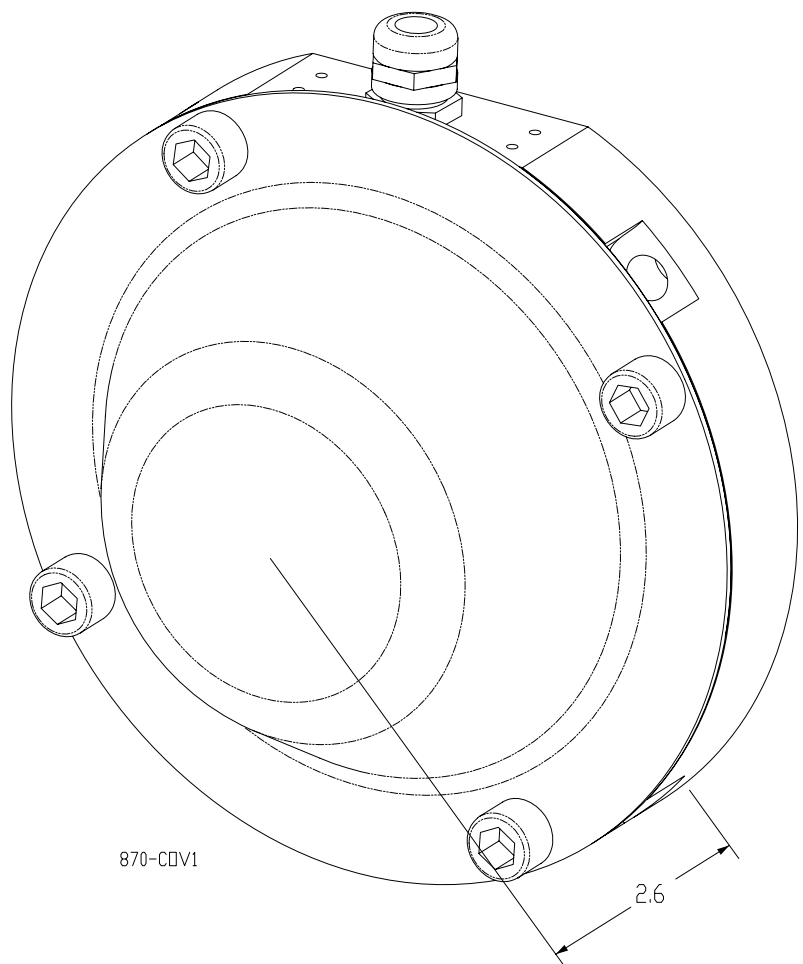



REVISIONS			
REV.	DESCRIPTION	DATE	APPROVED
---	INITIAL RELEASE		



THIRD ANGLE PROJECTION				ENCODER PRODUCTS COMPANY	
APPROVALS		DATE		NAME AND TITLE	
DRAWN		TRH		10/27/05	
ISSUE DATE:		TOLERANCES		CHECKED	
11/28/05		DECIMAL		RESP ENG	
NEXT ASSEM.		± .005		DWG. NO.	
PREV. ASSEM.		DECIMAL		870-COV1	
PART NUMBER		± .01		REV.	
870		ANGULAR		---	
		± 1		QUAL ENG	
				SCALE: NONE	
				DWG. SIZE: B	
				SHEET 1 OF 1	