

# RX / TXD RECEIVER-TRANSMITTER UNIT VERSATILE ENCODER INTERFACE



## FEATURES

**DIN Rail Mount**

**Level Changes from Vcc to 5V**

**Signal Conditioner or Repeater for Distance Transmission**

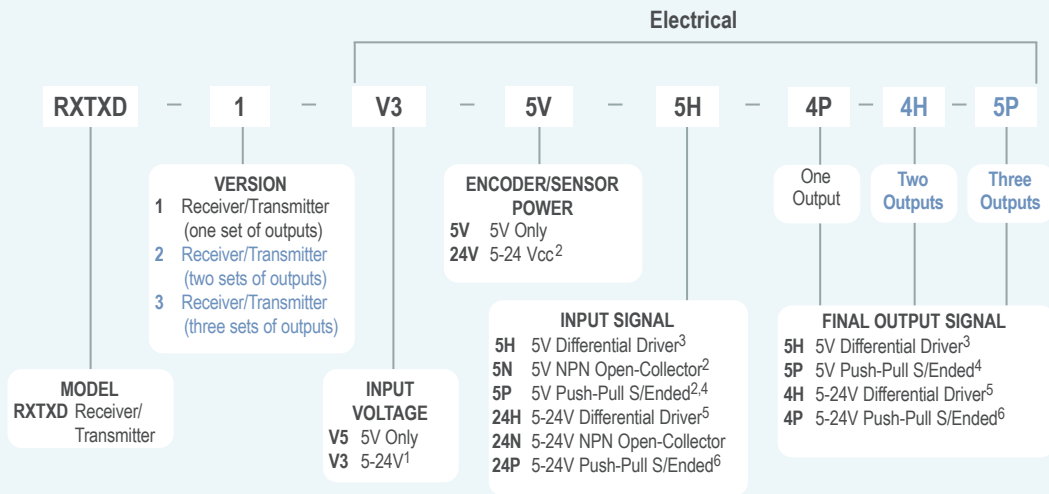
**2 or 3 Way Splitter/Level Changer**

**Encoder Tester/Verifier**

This lightweight DIN rail mountable unit, Line Driver and Line Receiver is composed of a PC/ABS self-extinguishing material blend. Configurable as a level changer, line repeater, splitter or encoder tester, the RX/TXD will accept TTL, RS422, RS485, PP, NPN, NPN OC, or PNP encoder inputs at 5V, or HTL, PP, NPN, NPN OC & PNP at 5-24V. It will provide up to three outputs in any combination of TTL, RS422, RS485, PP, at 5V, or HTL, PP at 5-24V. A series of LEDs on the front panel indicates power and signal presence. Connections are made via the easily accessible screw terminals as standard. This device may be used as both a Line Driver and Line Receiver.

## RX/TXD ORDERING GUIDE

Blue type indicates price adder options. Not all configuration combinations may be available. Contact Customer Service for details.



### NOTES:

- 1 26V Maximum Voltage.
- 2 Encoder/Sensor and output signal voltages are limited to the input voltage supplied. 5N and 5P Input Signal not available with 5-24Vcc option.
- 3 TTL, RS422 & RS485 Compatible.
- 4 TTL, NPN (Sink), PNP (Source), PP.
- 5 HTL Compatible.
- 6 NPN (Sink), PNP (Source), PP.

## RX/TXD SPECIFICATIONS

### Electrical

Input Voltage.....5V to 26V Max  
 Current  
 Consumption.....250 mA Typical  
 Repeater Output  
 Voltage .....5V or Vcc  
 Frequency  
 Response.....Up to 800 Khz  
 Output Current .....30 mA/ Channel Max

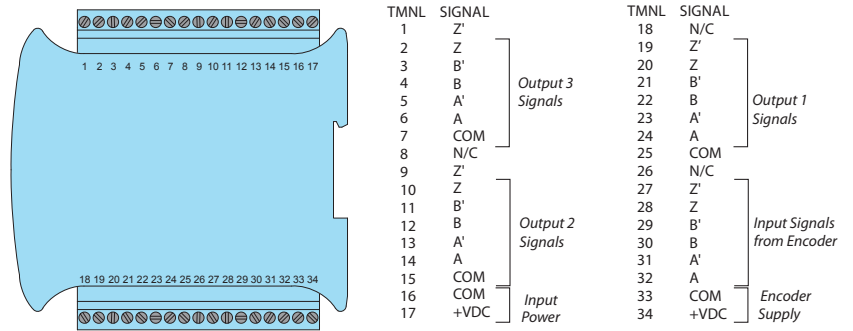
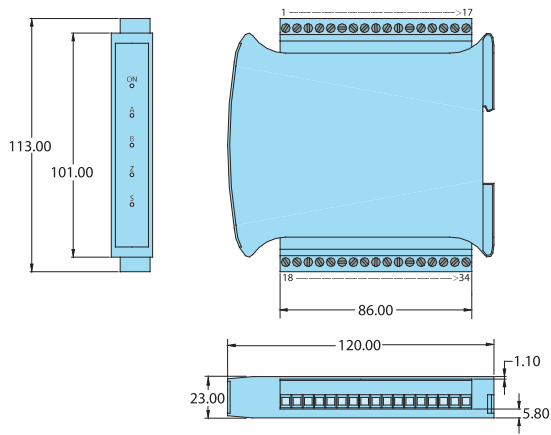
### Mechanical

Weight .....250g  
 Enclosure.....PC/ABS, IP20  
 Terminal .....Screw Type 30/12 AWG

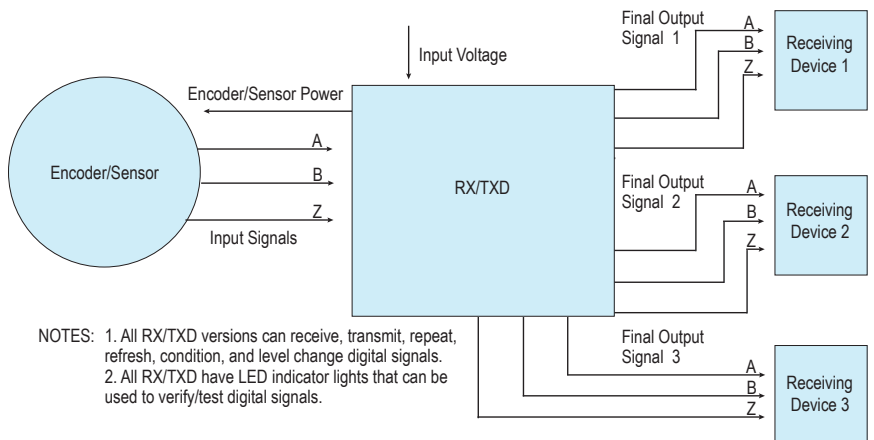
### Environmental

Operating Temp .....0° C to 85° C

## RX/TXD RECEIVER-TRANSMITTER



All inputs and outputs may not be present, depending on the RX/TXD version.



NOTES: 1. All RX/TXD versions can receive, transmit, repeat, refresh, condition, and level change digital signals.  
 2. All RX/TXD have LED indicator lights that can be used to verify/test digital signals.