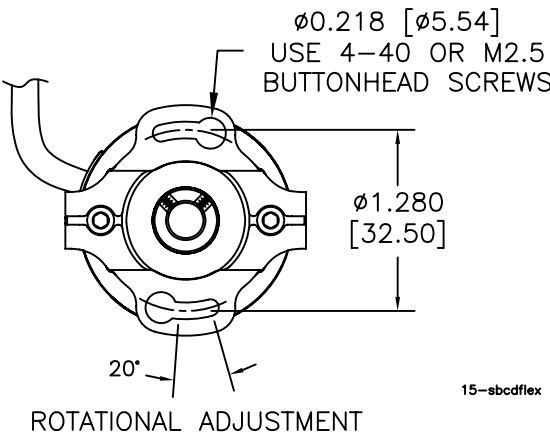
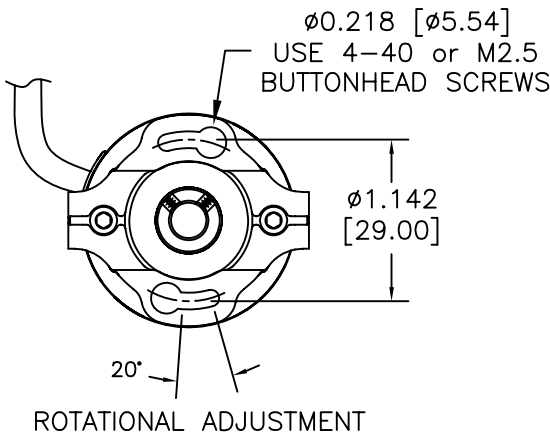
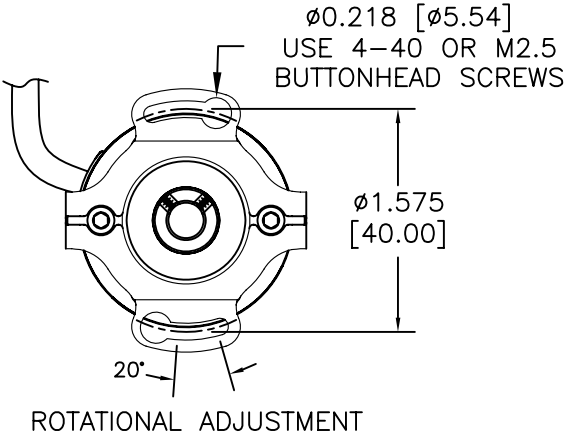



REVISIONS		
LTR	DESCRIPTION	DATE
-	INITIAL RELEASE	9/29/05



15-sbcdflex



ISSUE DATE 10/20/05	TOLERANCE		ENCODER PRODUCTS COMPANY	
NEXT ASSEMBLY	DECIMAL $\pm .005$		INITIAL DATE DR SBR 9/29/05	NAME AND TITLE MODEL 15 - 29mm, 32.5mm 40.0mm FLEX MOUNT
PREV ASSEMBLY	DECIMAL $\pm .01$	CK	DWG NUMBER <div style="font-size: 2em; font-weight: bold;">15-sbcdflex</div>	
PART NUMBER	ANGULAR $\pm .1^\circ$	QC		
		MFG	DWG SIZE B	SCALE NONE
		PRJ ENG	SHEET 1 OF 1	