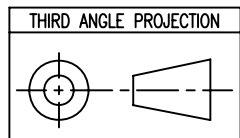
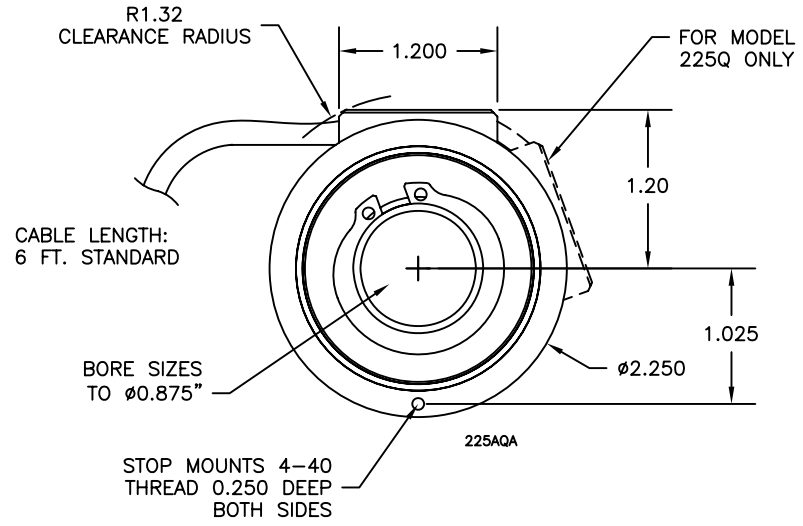
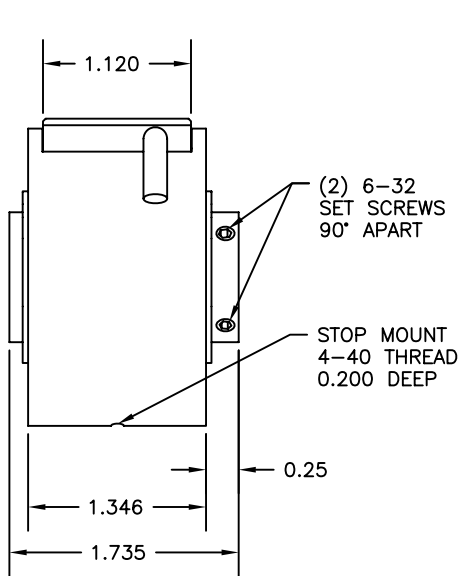


REVISIONS					
LTR	DESCRIPTION	CHK	DATE	APPR	DATE
-	INITIAL RELEASE				
A	ECO 01585 BSR 10/03/02				



ISSUE DATE 11/21/01	TOLERANCE	ENCODER PRODUCTS COMPANY			
NEXT ASSEMBLY	DECIMAL $\pm .005$	INITIAL DR SBR	DATE 11/19/01	NAME AND TITLE MODELS 225A, 225Q	
PREV ASSEMBLY	DECIMAL $\pm .01$	CK	QC	DWG NUMBER 225AQ	
PART NUMBER MODEL 225	ANGULAR $\pm .1^\circ$	MFG	PRJ ENG	DWG SIZE B	SCALE NONE
				SHEET 1	OF 1
				REV. A	