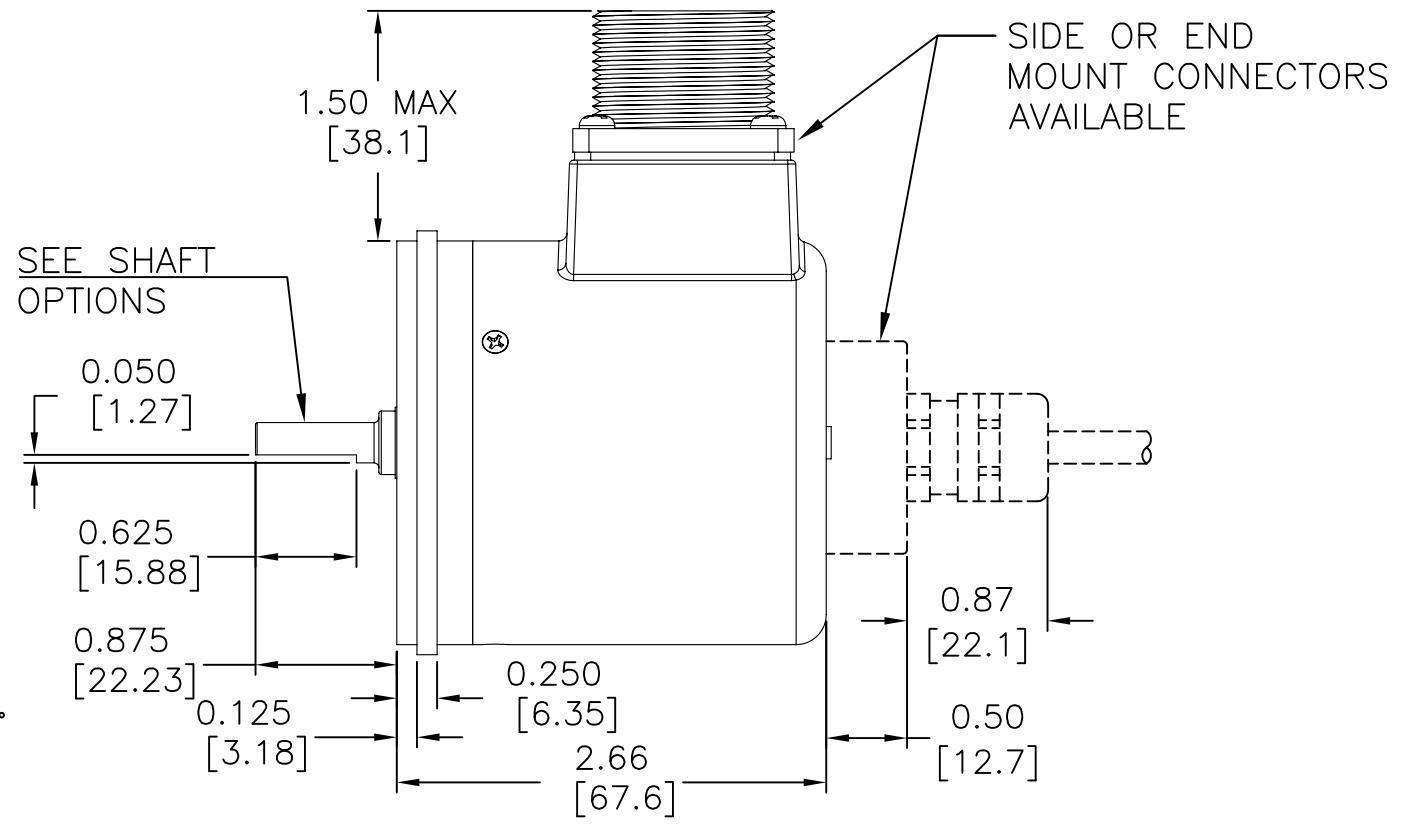
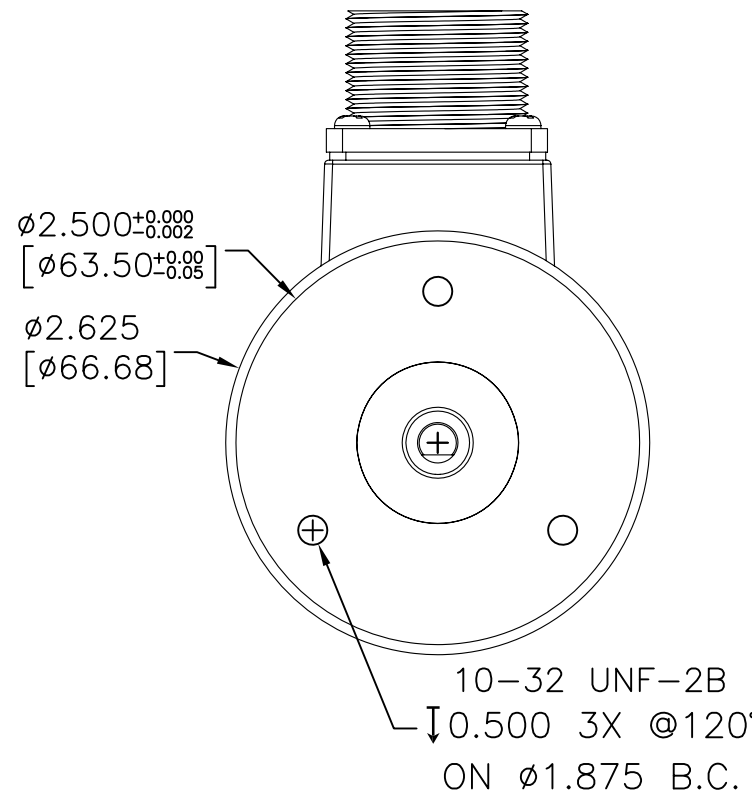



REVISIONS			
REV	DESCRIPTION	APPR	DATE
-	INITIAL RELEASE	07336	01/05/18



THIRD ANGLE PROJECTION		 ENCODER PRODUCTS COMPANY		www.encoder.com	
DIMENSIONS ARE IN INCHES		APPROVALS	DATE	NAME AND TITLE	
ISSUE DATE	TOLERANCES	DRAWN	6/24/2016	MODEL 25SP 2.625" SERVO MOUNT	
01/05/18		GMA			
NEXT ASSEM.	DECIMAL	CHECKED		DWG NUMBER	
	$\pm .005$	RESP ENG		25SP-MG	
PREV. ASSEM.	DECIMAL	MFG ENG		REV.	
	$\pm .01$			-	
PART NUMBER	ANGULAR	QUAL ENG		DWG SIZE	SHEET 1 OF 1
	$\pm .1^\circ$			B	NONE