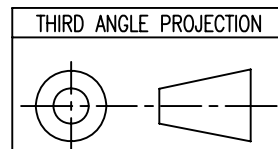
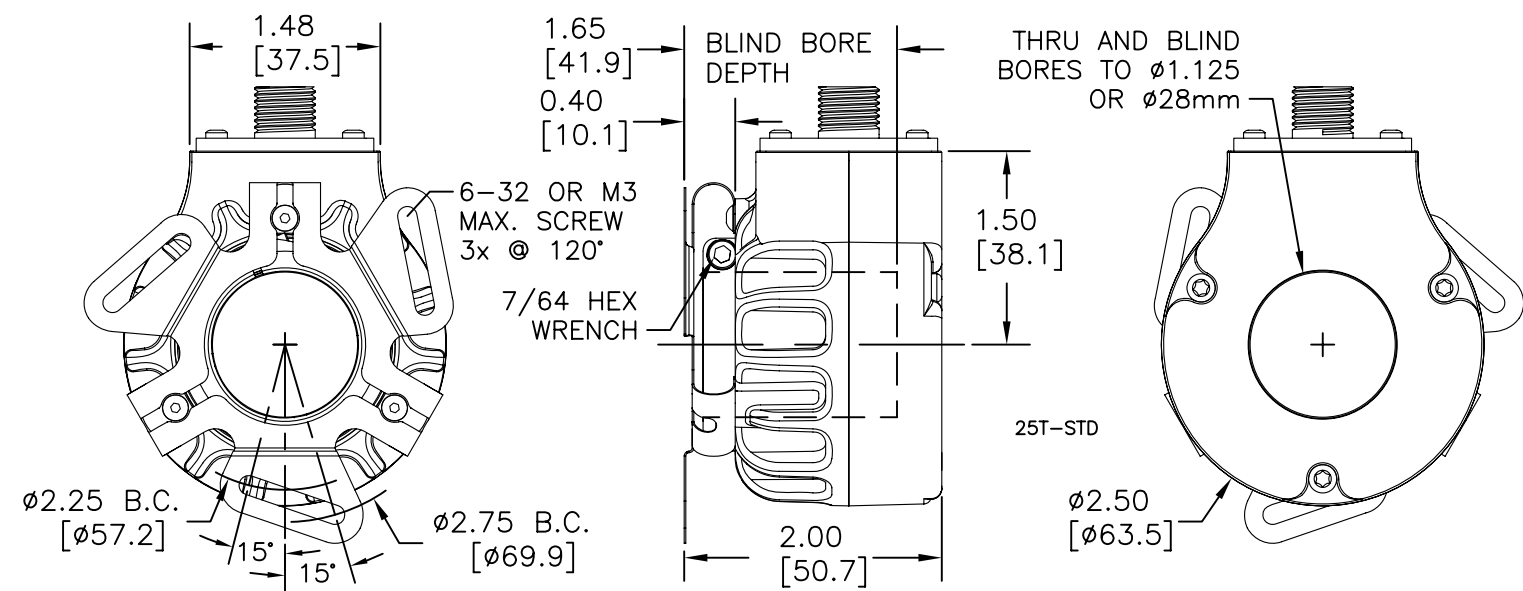


REVISIONS		
REV	DESCRIPTION	DATE
-	INITIAL RELEASE	06/29/07



www.encoder.com

DIMENSIONS ARE IN INCHES		APPROVALS DRAWN SBR	DATE 06/26/07	NAME AND TITLE MODEL 25T STANDARD	
ISSUE DATE 06/29/07	TOLERANCES	CHECKED		DWG NUMBER 25T-STD	
NEXT ASSEM.	DECIMAL $\pm .005$	RESP ENG		REV. -	
PREV. ASSEM.	DECIMAL $\pm .01$	MFG ENG			
PART NUMBER	ANGULAR $\pm .1^\circ$	QUAL ENG		DWG SIZE B	SCALE NONE SHEET 1 OF 1