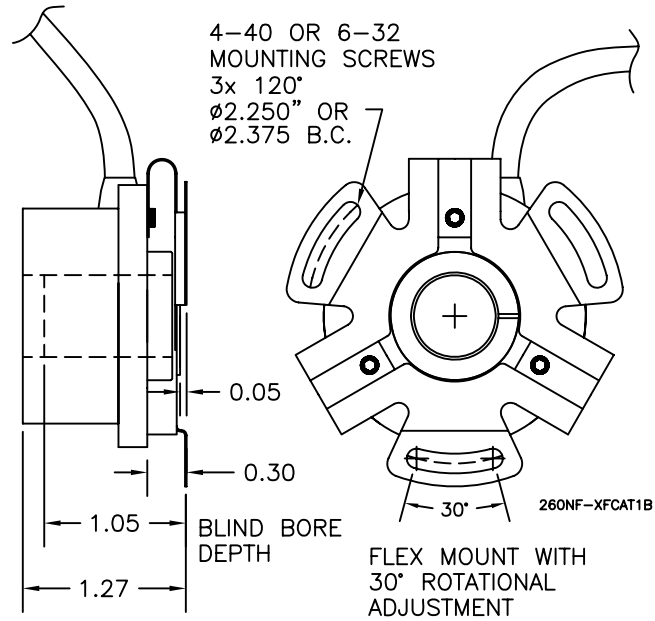


REVISIONS					
LTR	DESCRIPTION	CHK	DATE	APPR	DATE
-	INITIAL RELEASE				
A	ECO 01335				
B	ECO 02528 GMA				



ISSUE DATE 10/4/01	TOLERANCE		ENCODER PRODUCTS COMPANY		
NEXT ASSEMBLY	DECIMAL ±	INITIAL DATE DR GDB 10/4/01	NAME AND TITLE 3 POINT FLEX MOUNT FOR MODEL 260		REV.
PREV ASSEMBLY	DECIMAL ±	CK	DWG NUMBER 260NF-XFCAT1		B
PART NUMBER	ANGULAR ± .1°	MFG PRJ ENG	DWG SIZE B	SCALE NONE	SHEET 1 OF 1