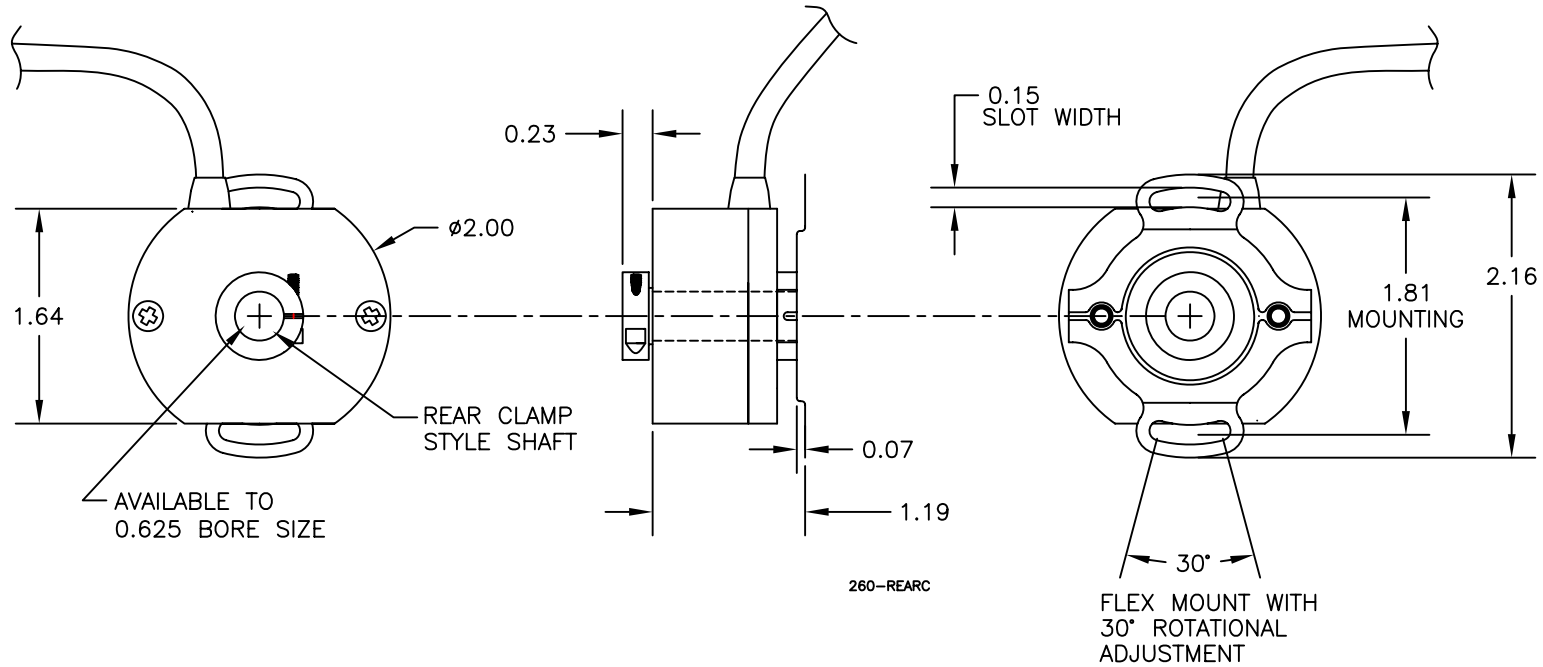



REVISIONS					
LTR	DESCRIPTION	CHK	DATE	APPR	DATE
-	INITIAL RELEASE				
A	ECD 01185				
B	ECD 01335				
C	ECD 01472				

CABLE LENGTH 18" STANDARD



ISSUE DATE 4/29/99	TOLERANCE	 ENCODER PRODUCTS COMPANY			
NEXT ASSEMBLY	DECIMAL ± .005	INITIAL	DATE	NAME AND TITLE MODEL 260 WITH REAR SHAFT CLAMP	
PREV ASSEMBLY	DECIMAL ± .01	DR	GDB 4/29/99	DWG NUMBER	
PART NUMBER	ANGULAR ± .1°	CK		260-REAR	
		QC		REV.	C
		MFG		DWG SIZE	B
		PRJ ENG		SCALE	NONE
				SHEET	1 OF 1