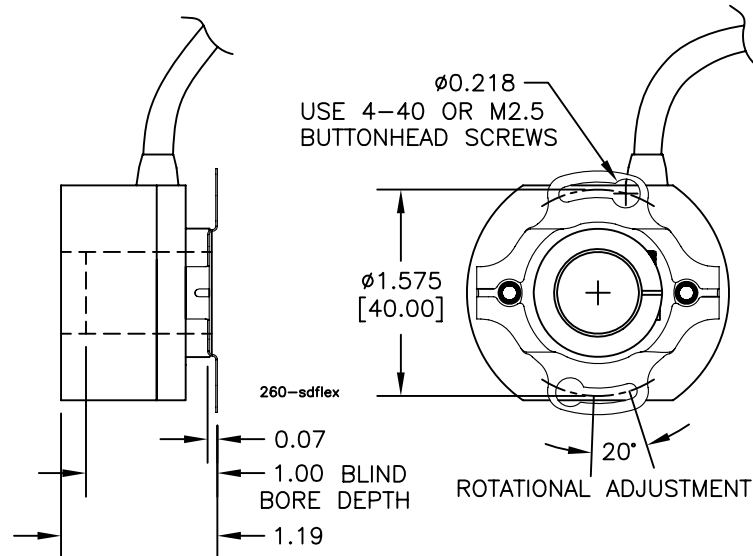


REVISIONS					
LTR	DESCRIPTION	CHK	DATE	APPR	DATE
-	INITIAL RELEASE				



ISSUE DATE 03/06/06	TOLERANCE				
NEXT ASSEMBLY	DECIMAL $\pm .005$	INITIAL	DATE	NAME AND TITLE	
PREV ASSEMBLY	DECIMAL $\pm .01$	DR	SBR 3/3/06	260 W/ 40mm FLEX MOUNT	
PART NUMBER	ANGULAR $\pm .1^\circ$	CK		DWG NUMBER	REV.
		QC		260-SDFLEX	-
		MFG		DWG SIZE	SCALE
		PRJ ENG		B	NONE
				SHEET	1 OF 1