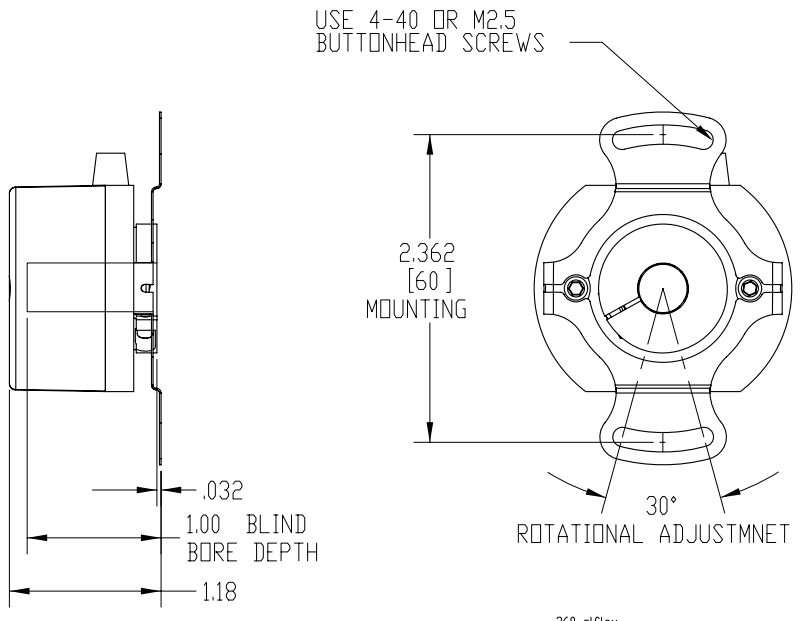


REVISIONS		
REV.	DESCRIPTION	DATE
--	INITIAL RELEASE	DATE



THIRD ANGLE PROJECTION		ENCODER PRODUCTS COMPANY		www.encoder.com	
APPROVALS		DATE		NAME AND TITLE	
DRAWN		3/02/10		260 60MM SL FLEX	
ISSUE DATE:		TOLERANCES		CHECKED	
xxx/xx/xx		DECIMAL ± .005		RESP ENG	
NEXT ASSEM XXX		DECIMAL ± .01		MFG ENG	
PREV. ASSEM XXX		ANGULAR ± 1		QUAL ENG	
PART NUMBER ①		SCALE: NONE		DWG. SIZE: B	
3		2		SHEET 1 OF 1	