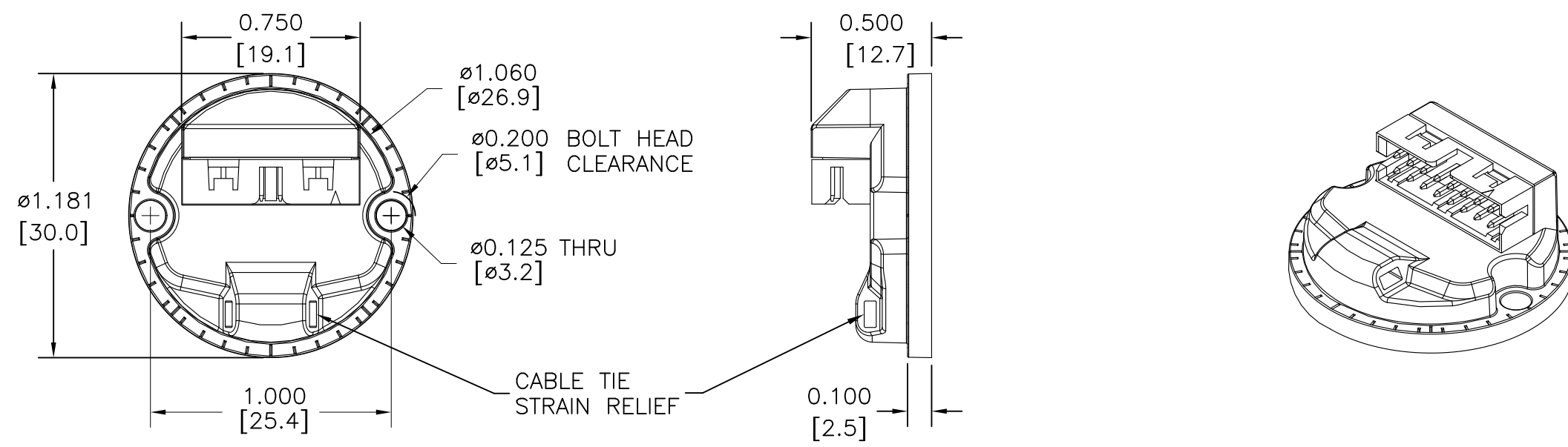
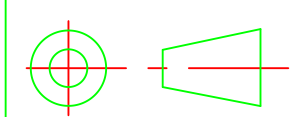


REVISIONS		
REV	DESCRIPTION	DATE
00	ENGINEERING PROTOTYPE	7/8/15



THIRD ANGLE PROJECTION



www.encoder.com

DIMENSIONS ARE IN INCHES		APPROVALS	DATE	NAME AND TITLE	
ISSUE DATE xx/xx/xx	TOLERANCES	DRAWN SBR	7/8/2015	MODEL 30M: MOLEX 16 PIN	
NEXT ASSEM.	DECIMAL ± .005	CHECKED		DWG NUMBER	30M-Molex16
PREV. ASSEM.	DECIMAL ± .01	RESP ENG			
PART NUMBER	ANGULAR ± .1°	MFG ENG		DWG SIZE B	REV. 00
		QUAL ENG		SCALE NONE	SHEET 1 OF 1