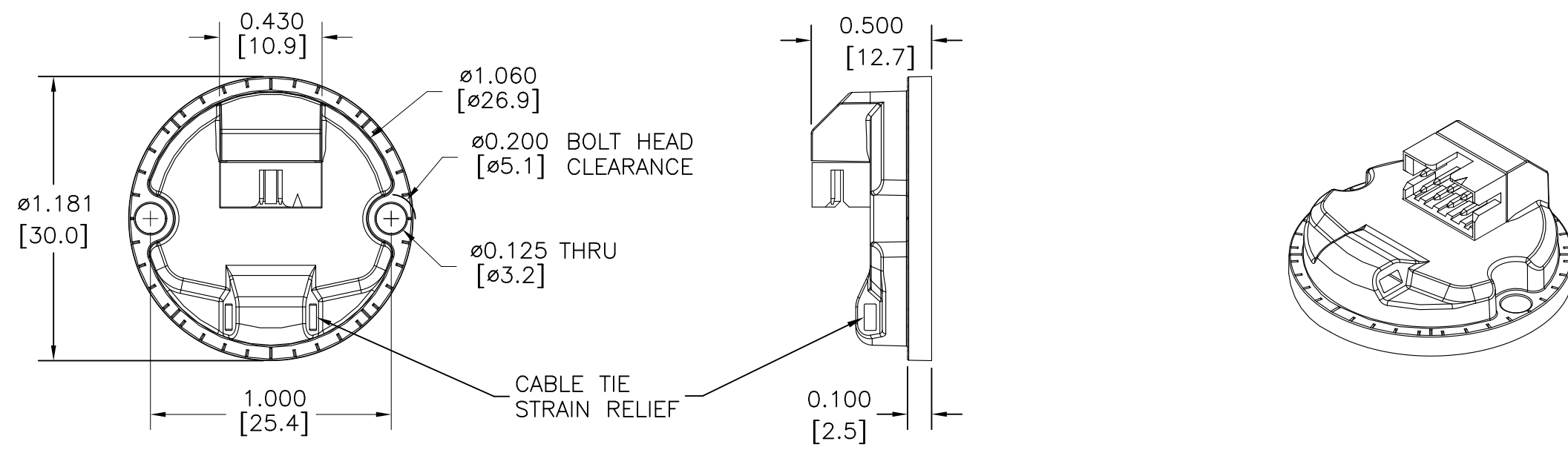
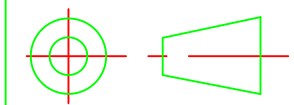


REVISIONS		
REV	DESCRIPTION	DATE
00	ENGINEERING PROTOTYPE	7/8/15



THIRD ANGLE PROJECTION



www.encoder.com

DIMENSIONS ARE IN INCHES		APPROVALS	DATE	NAME AND TITLE	
ISSUE DATE xx/xx/xx	TOLERANCES	DRAWN SBR	7/8/2015	MODEL 30M: MOLEX 8 PIN	
NEXT ASSEM.	DECIMAL $\pm .005$	CHECKED		DWG NUMBER	REV. 00
PREV. ASSEM.	DECIMAL $\pm .01$	RESP ENG		30M-Molex8	
PART NUMBER	ANGULAR $\pm .1^\circ$	MFG ENG		DWG SIZE B	SCALE NONE
		QUAL ENG		SHEET 1	OF 1