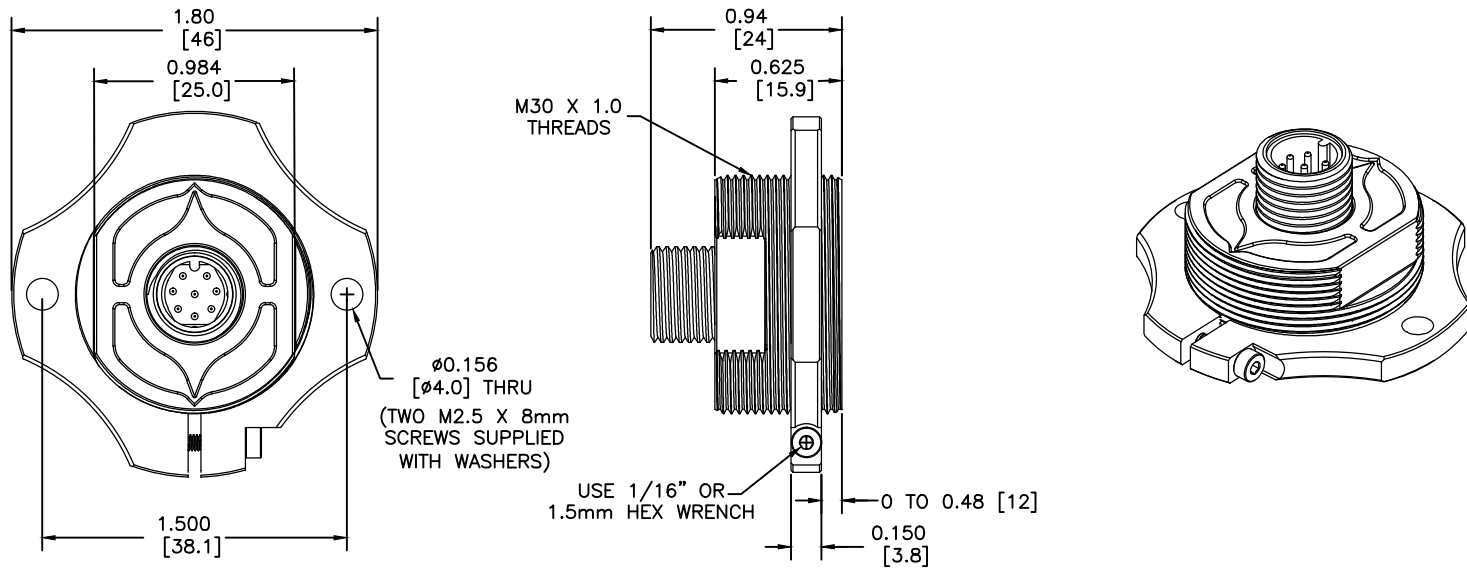

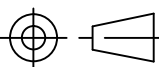


REVISIONS		
REV	DESCRIPTION	DATE
00	ENGINEERING PROTOTYPE	09/15/16
01	ADDED LEADING ZERO TO .48 DIMENSION	10/03/16



THIRD ANGLE PROJECTION		 ENCODER PRODUCTS COMPANY		www.encoder.com	
		APPROVALS	DATE	NAME AND TITLE	
DIMENSIONS ARE IN INCHES		DRAWN	9/15/2016	MODEL 30MT	
ISSUE DATE	TOLERANCES	CHECKED		DWG NUMBER	REV.
xx/xx/xx	DECIMAL	RESP ENG		30MT-MAIN	01
NEXT ASSEM.	$\pm .005$	MFG ENG			
PREV. ASSEM.	DECIMAL	QUAL ENG		DWG SIZE	SHEET 1 OF 1
PART NUMBER	ANGULAR			B	NONE
	$\pm .1^\circ$				