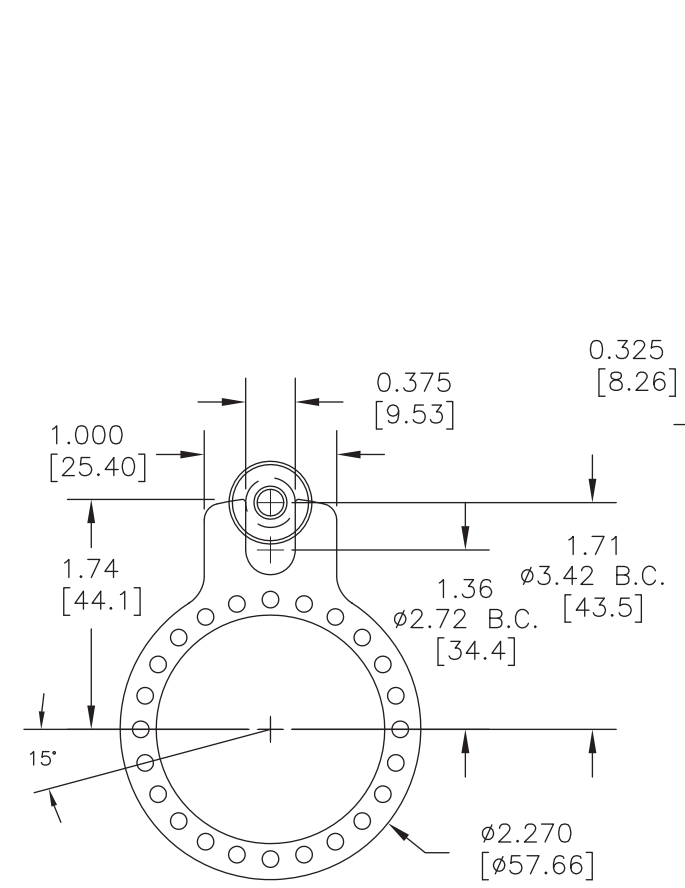
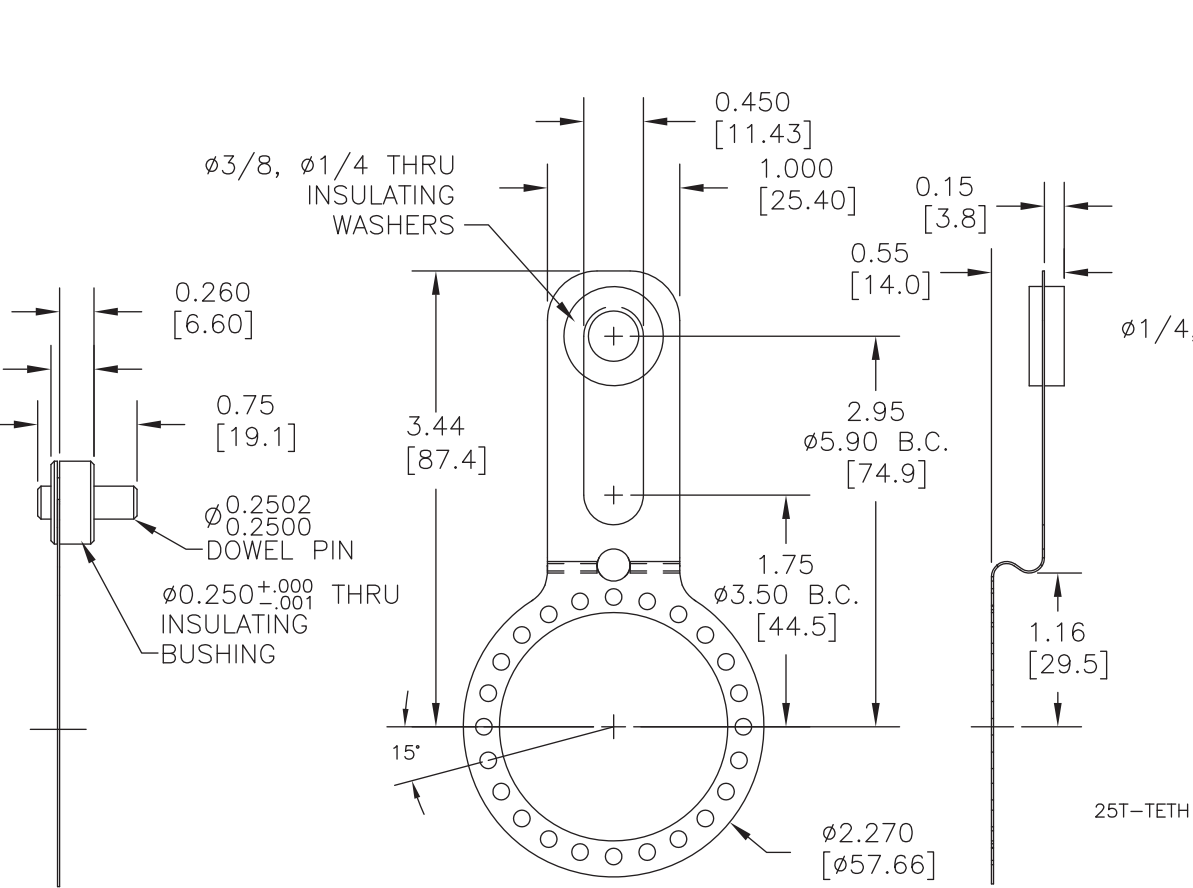


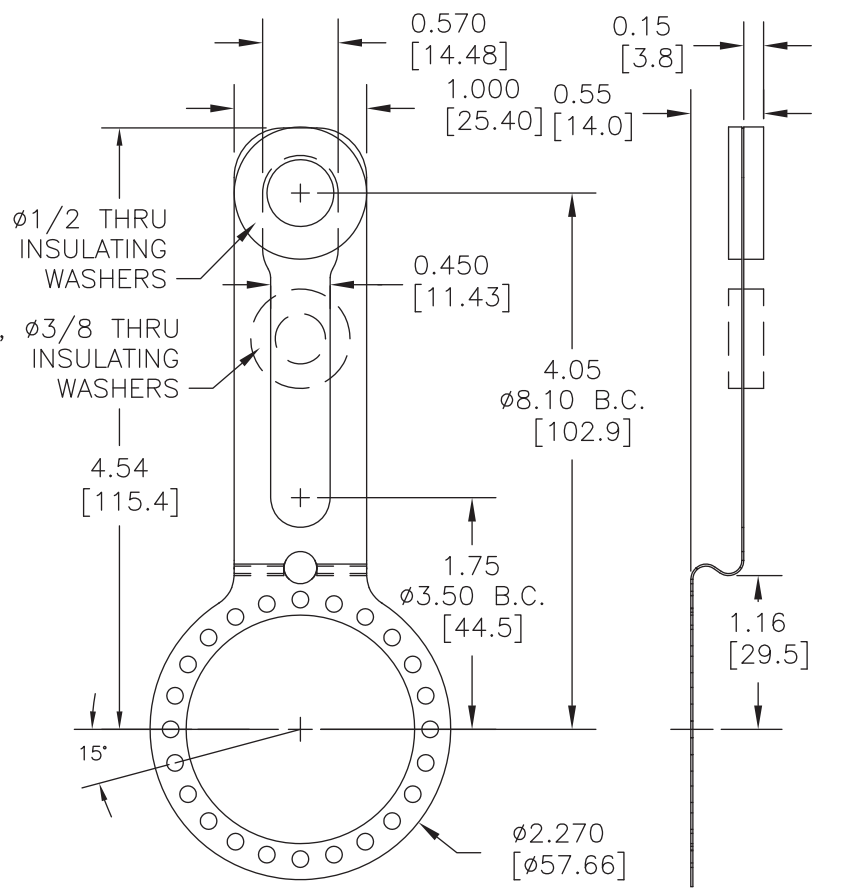
REVISIONS		
REV	DESCRIPTION	DATE
-	INITIAL RELEASE	06/29/07
A	ECO 05583 NNP	08/19/08
B	ECO 05920 GMA	01/25/10
C	ECO 07125 JP	09/09/16
D	ECO 07219 GMA	06/20/17
E	ECO 07284 GMA	10/04/17




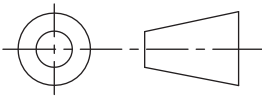
SH Mount



SG Mount



SJ Mount

THIRD ANGLE PROJECTION		 ENCODER PRODUCTS COMPANY		www.encoder.com	
					
DIMENSIONS ARE IN INCHES		APPROVALS	DATE	NAME AND TITLE	
ISSUE DATE	TOLERANCES	DRAWN	CHECKED	MODEL 25T TETHER MOUNTS DWG NUMBER 25T-TETH	
06/29/07	DECIMAL ± .005	SBR	06/26/07		
NEXT ASSEM.	DECIMAL ± .01	RESP ENG			
PREV. ASSEM.	ANGULAR ± .1°	MFG ENG			
PART NUMBER		QUAL ENG		DWG SIZE	SCALE
				B	NONE
				SHEET	OF
				1	1