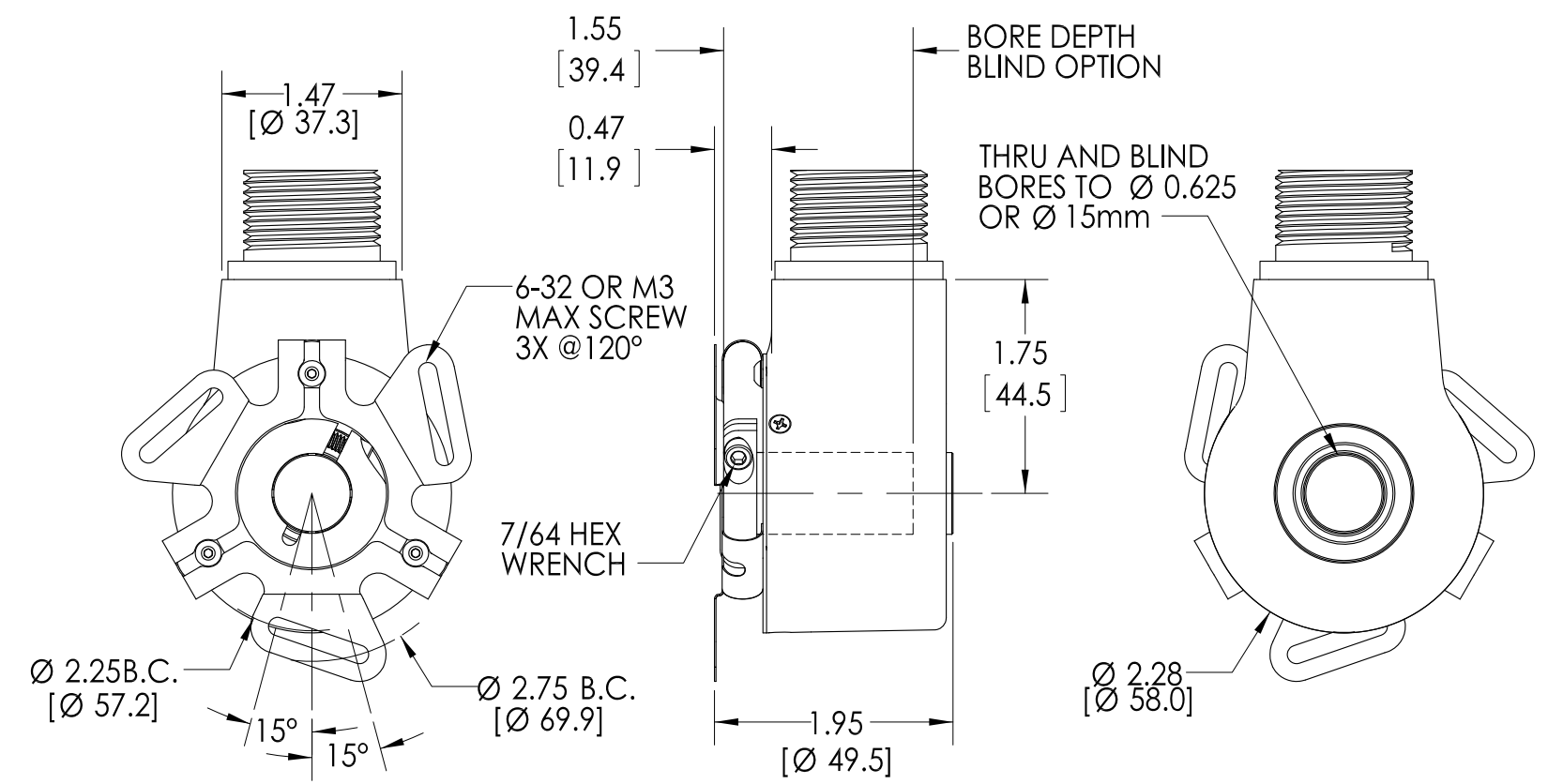



REVISIONS			
REV.	DESCRIPTION	APPR	DATE
-	INITIAL RELEASE	07337	01/05/18



THIRD ANGLE PROJECTION		 <b>ENCODER</b> PRODUCTS COMPANY		www.encoder.com	
APPROVALS		DATE	NAME AND TITLE		
DRAWN		BW	06/07/17	MODEL 58TP/F CATALOGUE DRAWING	
ISSUE DATE:		CHECKED		DWG. NO.	
01/05/18		TOLERANCES		58T-SE	
NEXT ASSEM.	DECIMAL	RESP ENG	REV.		
XXX	± .005		-		
PREV. ASSEM.	DECIMAL	MFG ENG	SCALE: NONE		DWG. SIZE: B
XXX	± .01		SHEET 1 OF 1		
PART NUMBER	ANGULAR	QUAL ENG			
<	± 1				