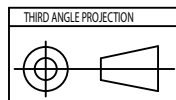
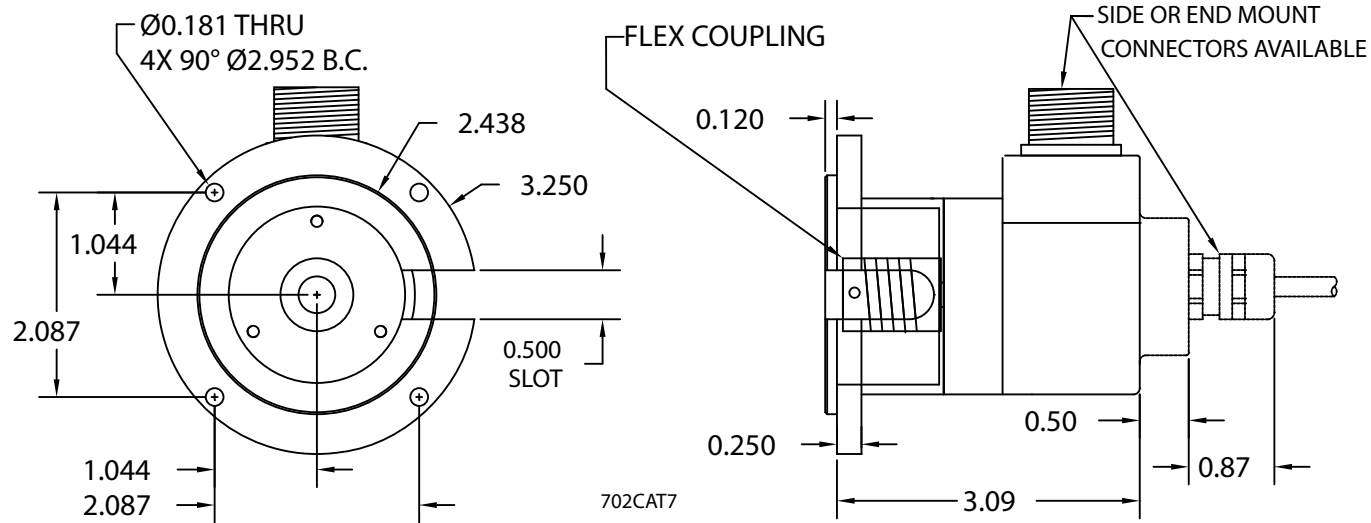


REVISIONS

LTR	DESCRIPTION	DATE
A	ECO #01976 GMA	04/26/04
B	ECO #02562 GMA	04/21/06



ISSUE DATE	TOLERANCE		ENCODER PRODUCTS COMPANY	
NEXT ASSEMBLY	DECIMAL ± .005	INITIAL	DATE	NAME AND TITLE
PREV ASSEMBLY	DECIMAL ± .01	DR	GDB 10/22/01	MODEL 702 STANDARD MOTOR MOUNT (B)
PART NUMBER	ANGULAR ± .1°	CK		DWG NUMBER
		QC		702CAT7
		MFG		REV. B
		PR/ENG	DWG SIZE B	SCALE NONE
			SHEET 1 OF 1	