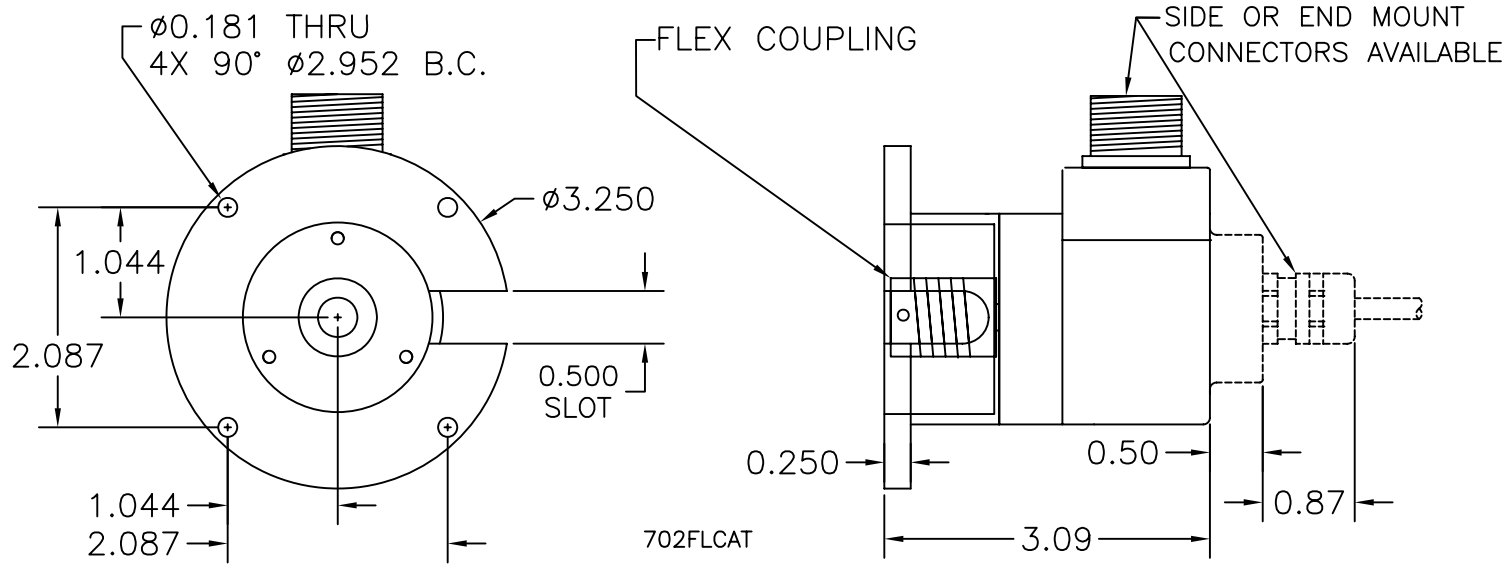


| REVISIONS | | |
|-----------|----------------|----------|
| LTR | DESCRIPTION | DATE |
| C | ECO #01335 BSR | 10/02/01 |
| D | ECO #01976 GMA | 04/23/04 |
| E | ECO #02562 GMA | 04/21/06 |



| | | | |
|---------------|---------------------------|--------------------------|------------------------------------|
| ISSUE DATE | TOLERANCE | ENCODER PRODUCTS COMPANY | |
| NEXT ASSEMBLY | DECIMAL $\pm .005$ | INITIAL DATE | NAME AND TITLE |
| PREV ASSEMBLY | DECIMAL $\pm .01$ | DR GDB 4/19/96 | MODEL 702 STANDARD MOTOR MOUNT (I) |
| PART NUMBER | ANGULAR $\pm .1^\circ$ | CK | DWG NUMBER |
| | | QC | 702FLCAT |
| | | MFG | REV. E |
| | | PRJ ENG | DWG SIZE B |
| | | | SCALE NONE |
| | | | SHEET 1 OF 1 |

