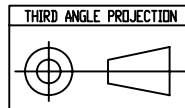
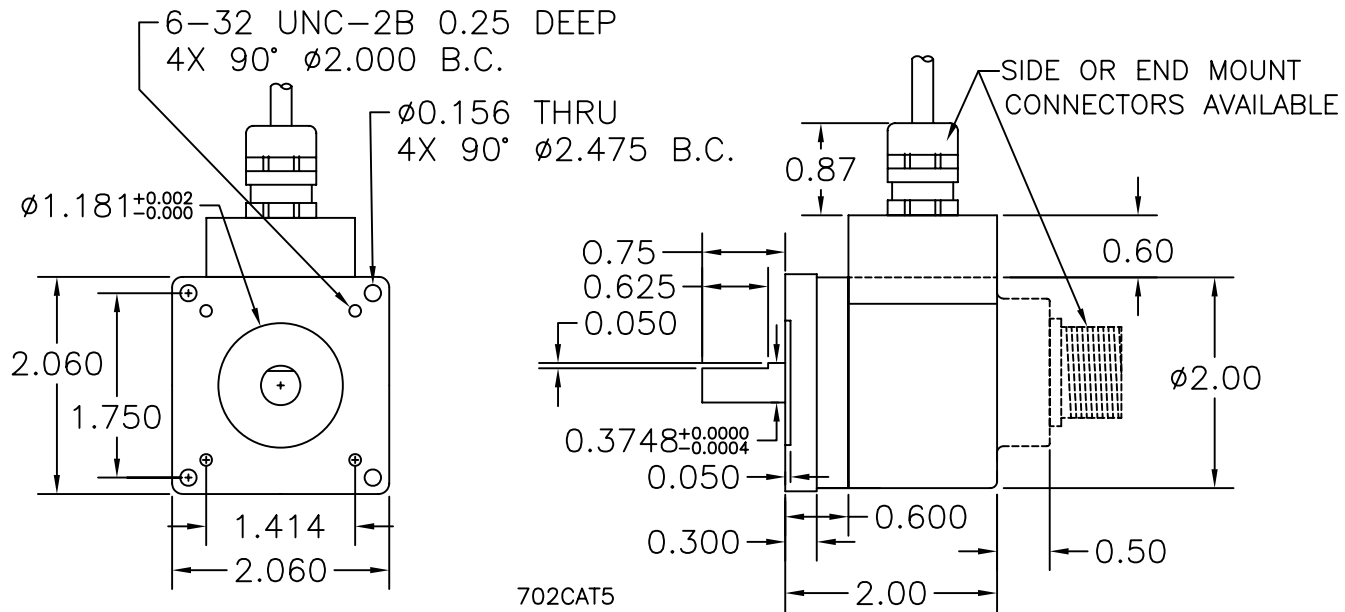



REVISIONS		
LTR	DESCRIPTION	DATE
B	ECO #01185	
C	ECO #01335	
D	ECO #01968 GMA	04/15/04



ISSUE DATE	TOLERANCE	 ENCODER PRODUCTS COMPANY	
NEXT ASSEMBLY	DECIMAL ± .005	INITIAL	DATE
PREV ASSEMBLY	DECIMAL ± .01	DR GDB	1/04/99
PART NUMBER	ANGULAR ± .1°	NAME AND TITLE	MODEL 702 FLANGE MOUNT
		DWG NUMBER	702CAT5
		SCALE	NONE
		SHEET	1 OF 1