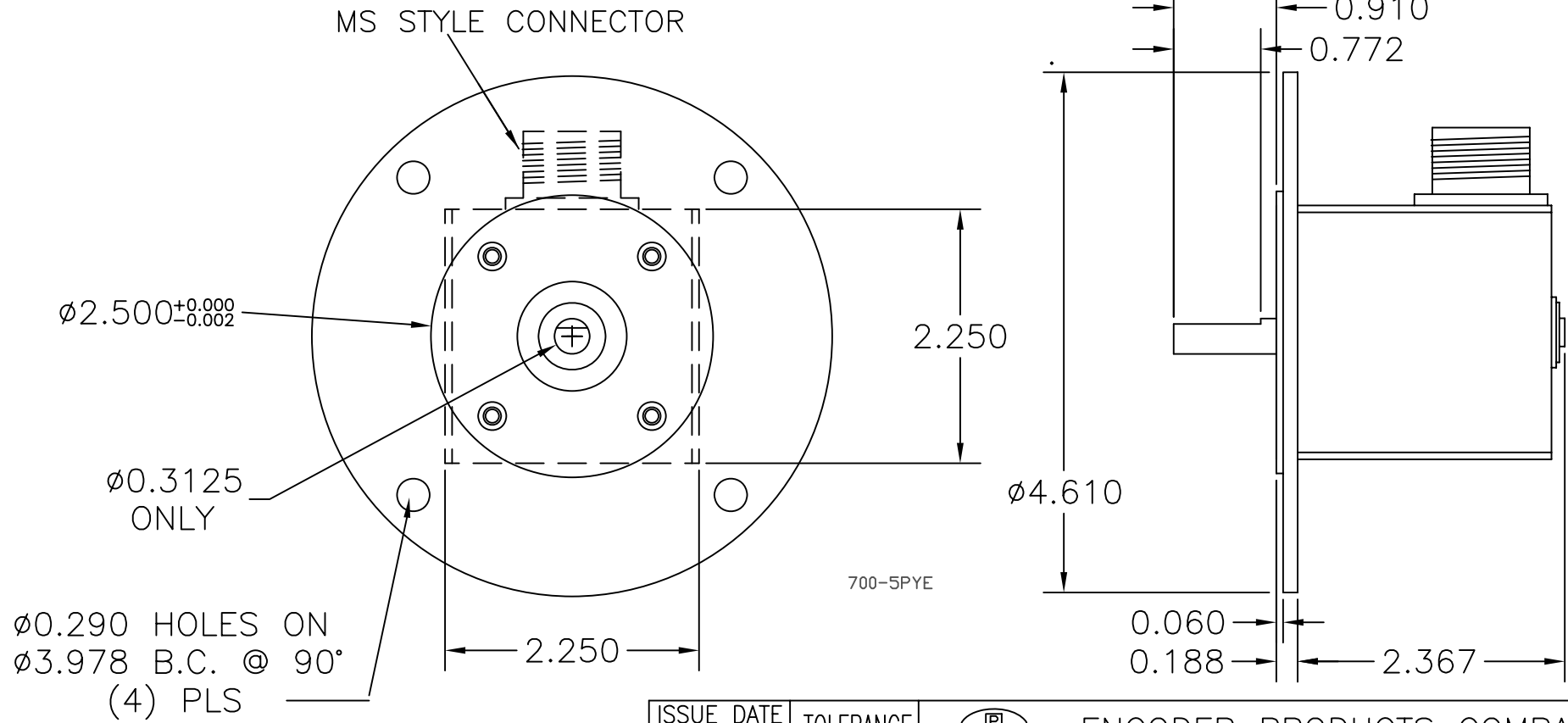


REVISIONS					
LTR	DESCRIPTION	CHK	DATE	APPR	DATE
A	SHOWED UNIT HIDDEN				
B	ECD 00740				
C	ECD 00833				
D	ECD 01185				
E	ECD 01335				



ISSUE DATE 1/14/99	TOLERANCE		ENCODER PRODUCTS COMPANY		
NEXT ASSEMBLY	DECIMAL $\pm .005$	INITIAL	DATE	NAME AND TITLE	
PREV ASSEMBLY	DECIMAL $\pm .01$	DR GDB	10/4/99	5PY FLANGE WITH STANDARD 700 CUBE	
PART NUMBER	ANGULAR $\pm .1^\circ$	CK	QC	DWG NUMBER	REV.
		MFG	PW/ENG	700-5PY	E
				DWG SIZE B	SCALE FULL
					SHEET 1 OF 1