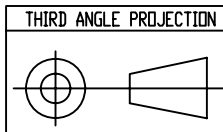
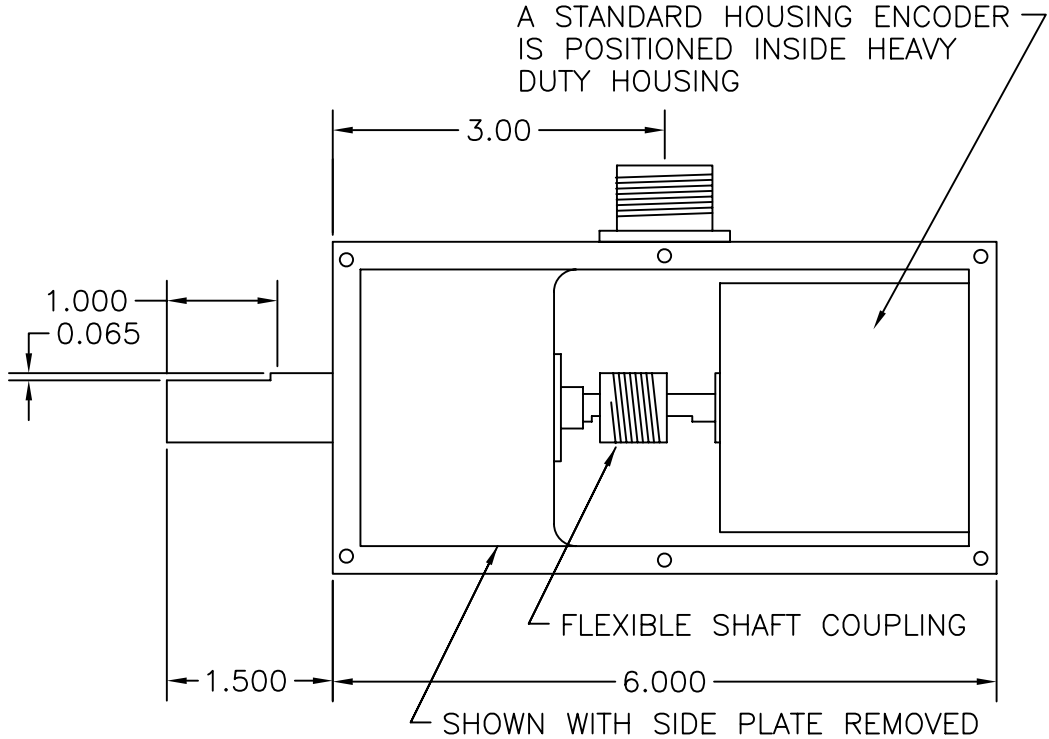
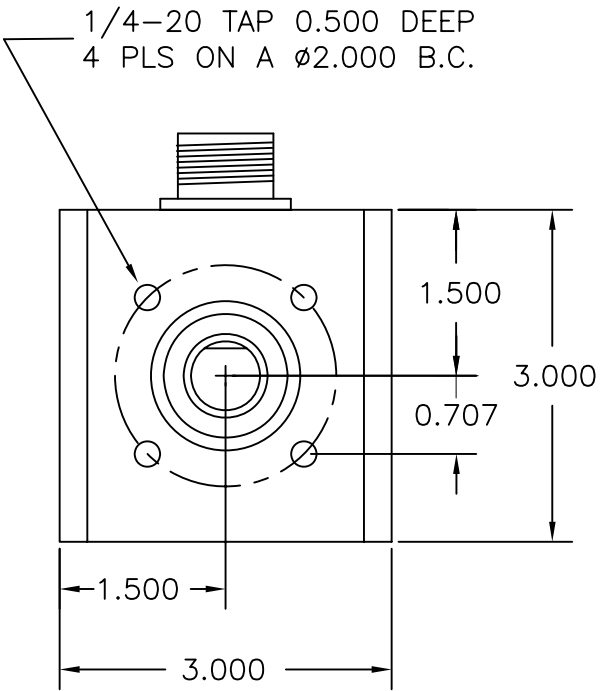


REVISIONS					
LTR	DESCRIPTION	CHK	DATE	APPR	DATE
A	ADDED TEXT				
B	SEE ECO 00833				
C	SEE ECO 01185				



ISSUE DATE 1/14/99	TOLERANCE	ENCODER PRODUCTS COMPANY			
NEXT ASSEMBLY	DECIMAL $\pm .005$	INITIAL	DATE	NAME AND TITLE	
PREV ASSEMBLY	DECIMAL $\pm .01$	DR	GDB 10/12/99	SHAFT, HEAVY DUTY 10 CUBE	
PART NUMBER	ANGULAR $\pm .1^\circ$	CK	QC	DWG NUMBER	REV.
		MFG	PRJ ENG	700HD101	C
		DWG SIZE	B	SCALE	N/A
				SHEET	1 OF 1