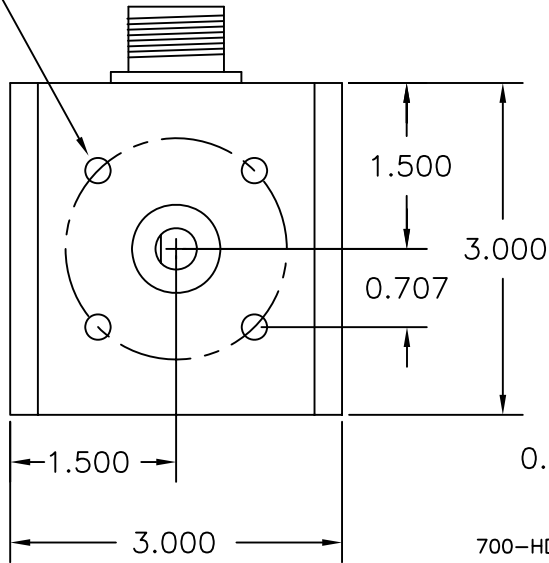


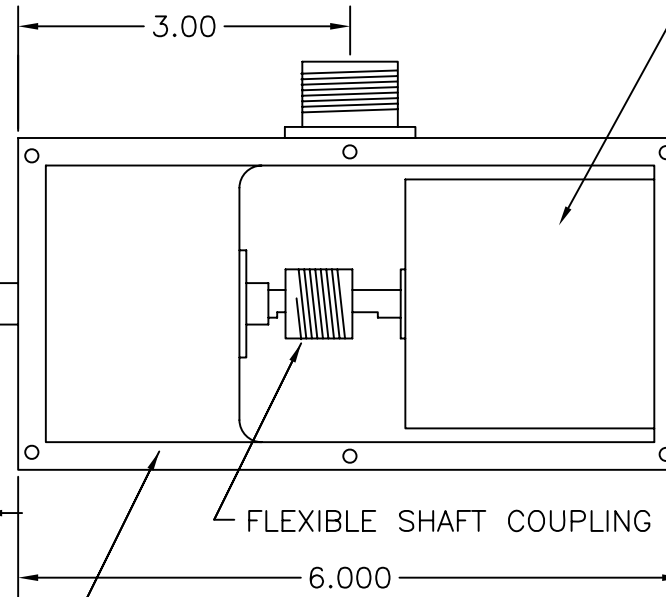
REVISIONS		
LTR	DESCRIPTION	DATE
B	SEE ECO 00833	
C	SEE ECO 01223	
D	ECO 01977 GMA	06/25/04

1/4-20 UNC-2B 0.500 DEEP
4X 90° Ø2.000 B.C.

A STANDARD HOUSING ENCODER
IS POSITIONED INSIDE HEAVY
DUTY HOUSING



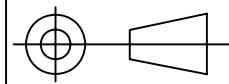
700-HD1



FLEXIBLE SHAFT COUPLING

SHOWN WITH SIDE PLATE REMOVED

THIRD ANGLE PROJECTION



ISSUE DATE 1/14/99	TOLERANCE	ENCODER PRODUCTS COMPANY	
NEXT ASSEMBLY	DECIMAL ± .005	INITIAL DR GDB	DATE 10/4/99
PREV ASSEMBLY	DECIMAL ± .01	CK	QC
PART NUMBER	ANGULAR ± .1°	MFG	PRJ ENG
		NAME AND TITLE SHAFT, HEAVY DUTY CUBE	
		DWG NUMBER 700-HD1	
		DWG SIZE B	SCALE
		SHEET 1 OF 1	
		REV. D	