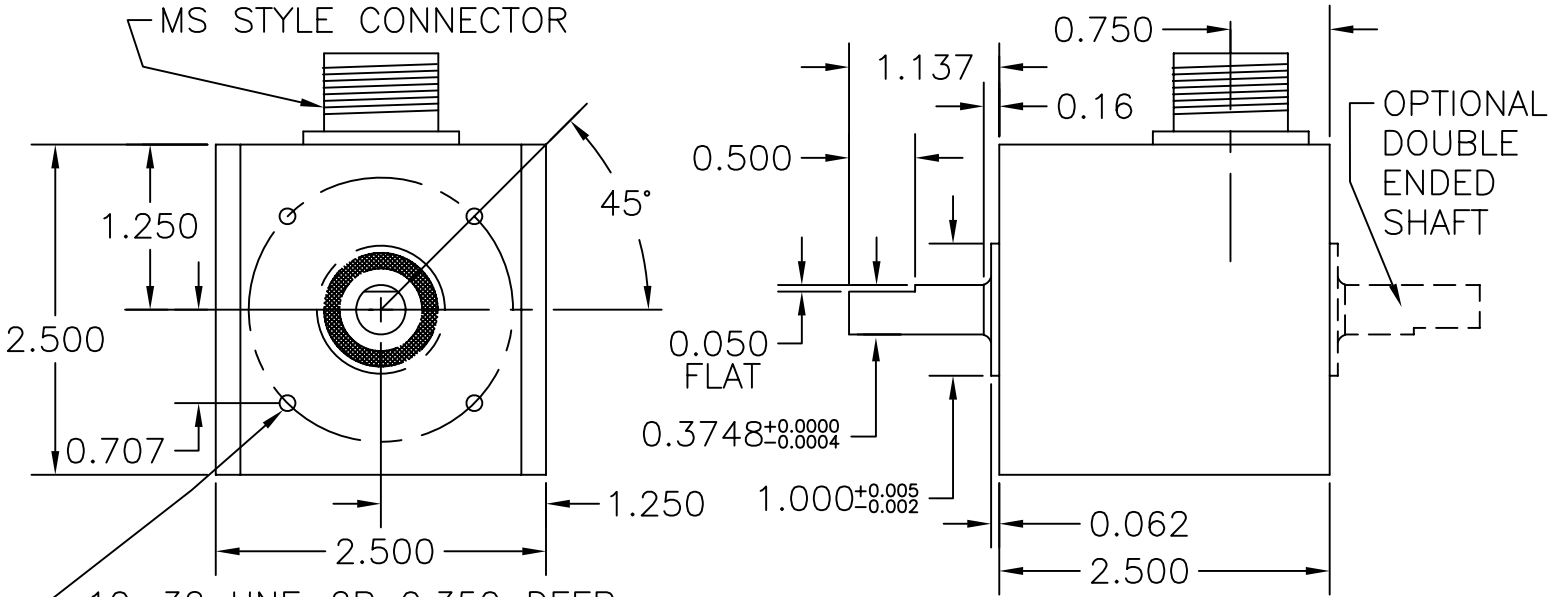
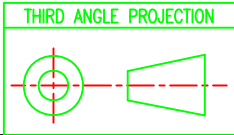



REVISIONS		
LTR	DESCRIPTION	DATE
-	INITIAL RELEASE	
A	ECO 01185	
B	ECO 01977 GMA	06/25/04



10-32 UNF-2B 0.350 DEEP
 4X 90° Ø2.000 B.C.
 SAME MOUNTING HOLE PATTERN IS ALSO
 PROVIDED ON THE OPPOSITE END AND BASE

700IND12



ISSUE DATE 12/23/00	TOLERANCE	 ENCODER PRODUCTS COMPANY	
NEXT ASSEMBLY	DECIMAL ± .005	INITIAL DR GDB	DATE 12/21/00
PREV ASSEMBLY	DECIMAL ± .01	CK	QC
PART NUMBER NA	ANGULAR ± .1°	MFG	PRJ ENG
		NAME AND TITLE INDUSTRIAL CUBE CATALOG DRAWING	
		DWG NUMBER 700IND12	
		DWG SIZE B	SCALE NONE
		SHEET 1 OF 1	
		REV. B	