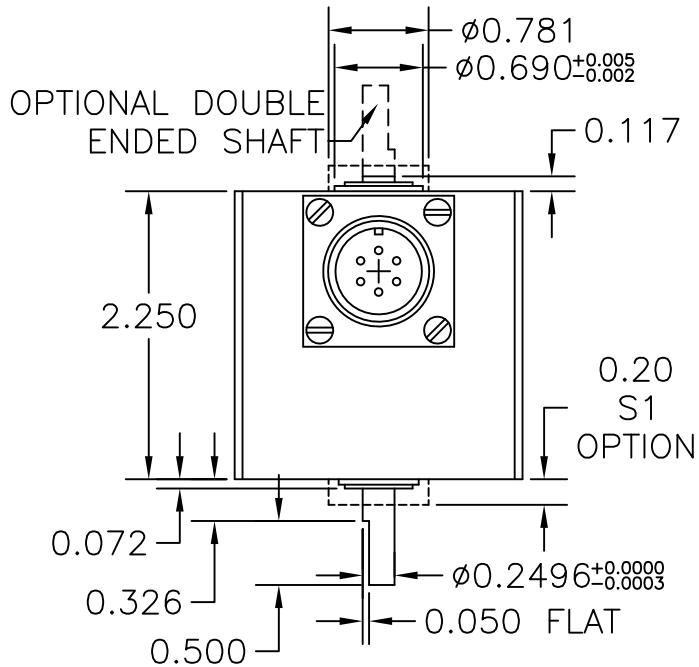
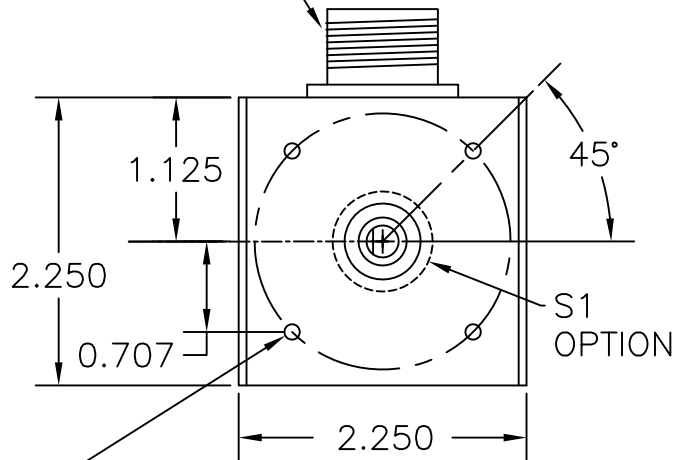


REVISIONS			
LTR	DESCRIPTION	APPR	DATE
D	SEE ECO 01977 GMA		6/25/04
E	SEE ECO 06987 GMA	06987	10/05/15
F	THREAD DEPTH CHANGE	07327	01/19/18
G	UPDATED SHAFT DIAMETER	07189	04/13/18



MS STYLE CONNECTOR

700-STA1



6-32 UNC-2B 0.250 DEEP
 4X 90° $\phi 2.000$ B.C.
 SAME MOUNTING HOLE PATTERN
 IS ALSO PROVIDED ON THE
 OPPOSITE END AND BASE

ISSUE DATE	TOLERANCE	ENCODER PRODUCTS COMPANY		
NEXT ASSEMBLY	DECIMAL $\pm .005$	INITIAL	DATE	NAME AND TITLE
PREV ASSEMBLY	DECIMAL $\pm .01$	DR	GDB 10/12/99	MOUNTING, STANDARD CUBE
PART NUMBER	ANGULAR $\pm .1^\circ$	CK	QC	DWG NUMBER
		MFG	PRJ ENG	700-STA1
				REV. G
		DWG SIZE	A	SCALE N/A
				SHEET 1 OF 1