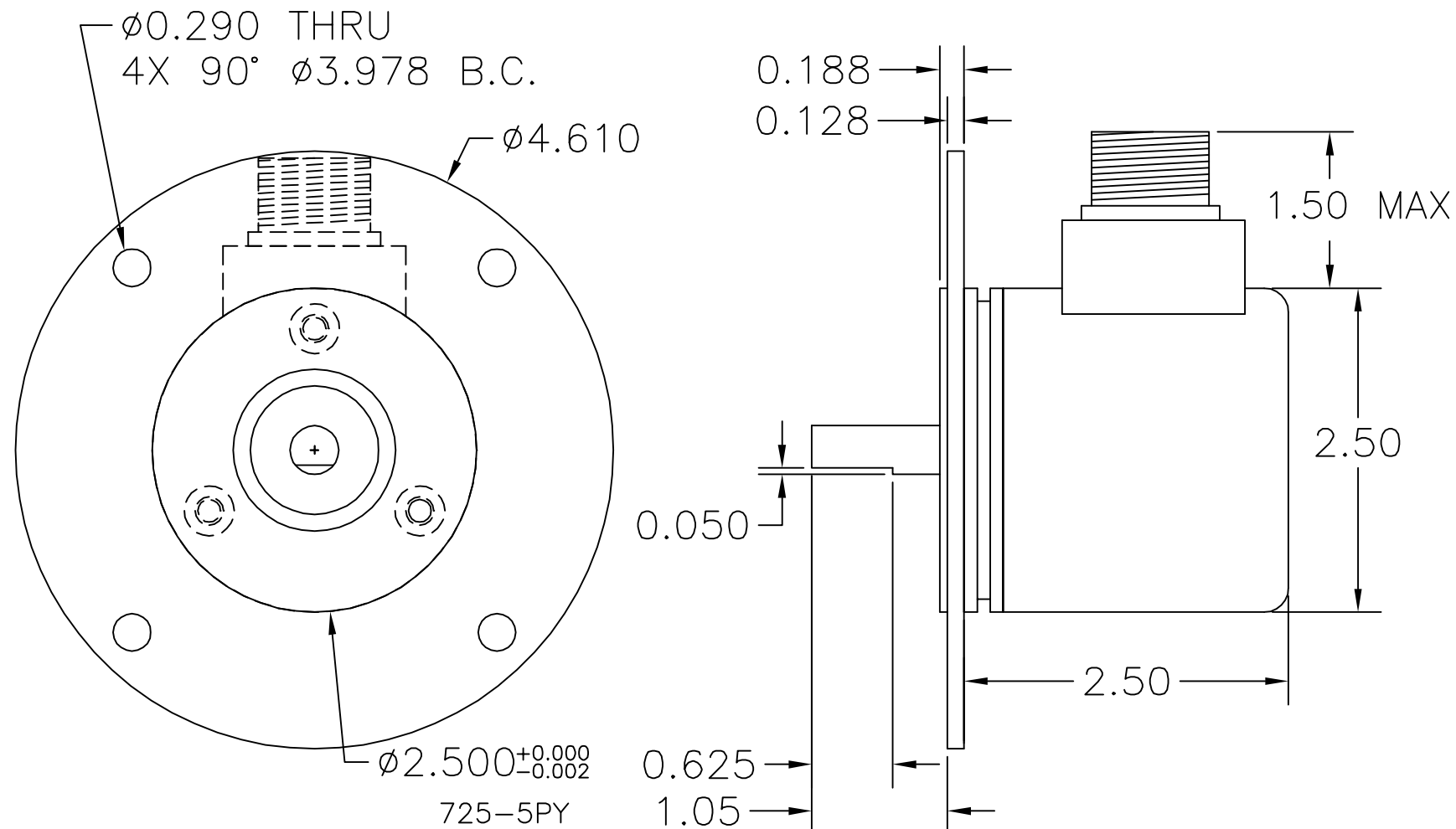


REVISIONS		
LTR	DESCRIPTION	DATE
E	ECO #01335	
F	ECO #01970 GMA	04/20/04
G	ECO #02228 GMA	03/01/05
H	ECO #06791 GMA	08/19/14



ISSUE DATE 5/04/99	TOLERANCE		ENCODER PRODUCTS COMPANY	
NEXT ASSEMBLY	DECIMAL ± .005	INITIAL	DATE	NAME AND TITLE
PREV ASSEMBLY	DECIMAL ± .01	DR GDB	5/04/99	MODEL 725I SERVO MOUNT WITH 5PY ADAPTOR
PART NUMBER	ANGULAR ± .1°	CK	DWG NUMBER	REV. H
		QC	725-5PY	
		MFG	DWG SIZE B	SCALE NONE
		PRJ ENG		SHEET 1 OF 1

