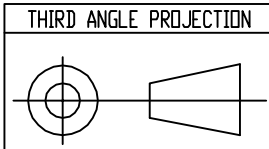
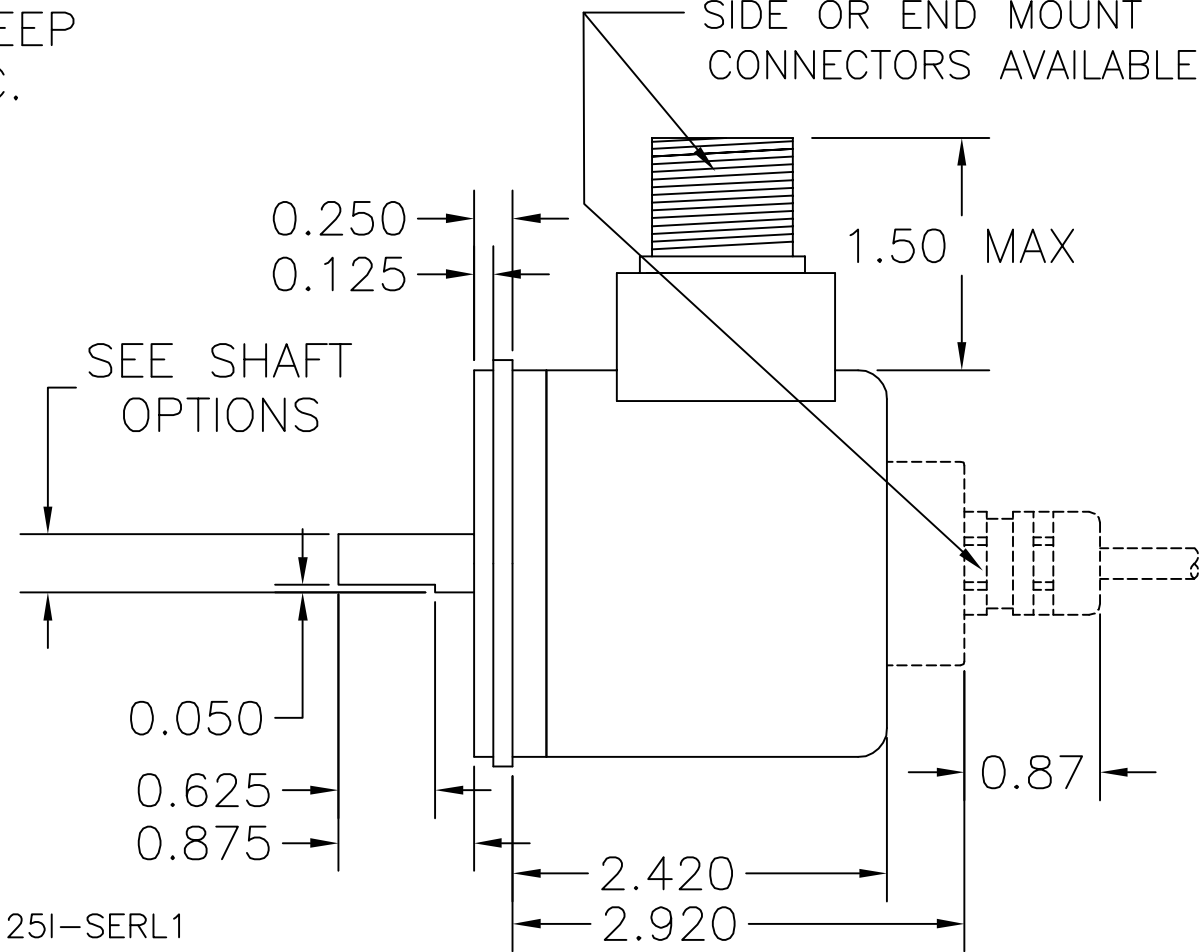
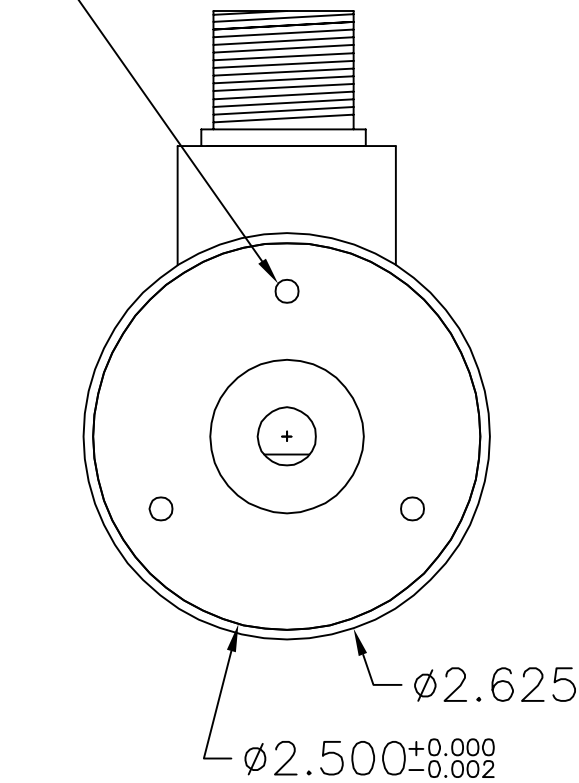


REVISIONS		
LTR	DESCRIPTION	DATE
B	ECO #01335	
C	ECO #01970 GMA	04/20/04
D	ECO #06791 GMA	08/19/14

10-32 UNF 0.50 DEEP
3X 120° Ø1.875 B.C.



ISSUE DATE 4/16/01	TOLERANCE		ENCODER PRODUCTS COMPANY	
NEXT ASSEMBLY	DECIMAL ± .005	INITIAL DATE DR GDB 4/16/01	NAME AND TITLE MODEL 725I SERVO MOUNT (L)	
PREV ASSEMBLY	DECIMAL ± .01	CK	DWG NUMBER 25I-SERL1	REV. D
PART NUMBER	ANGULAR ± .1°	QC		
		MFG	DWG SIZE B	SCALE NONE
		PRJ ENG	SHEET 1 OF 1	