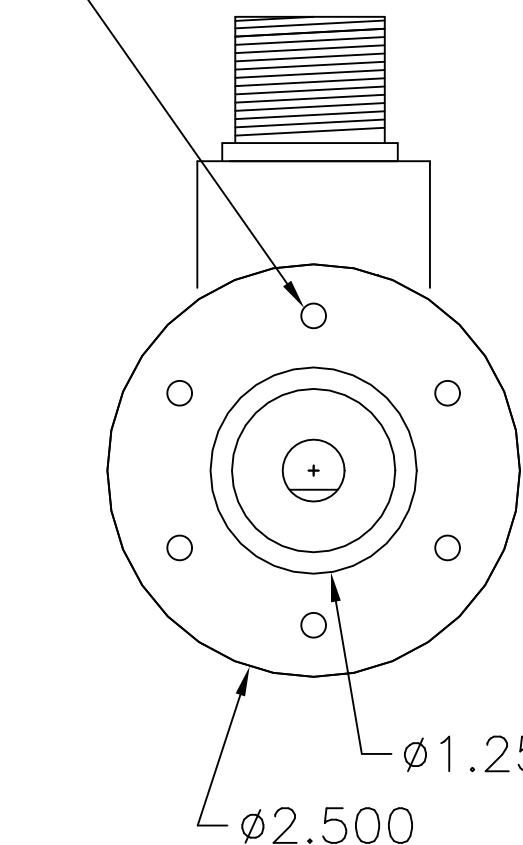


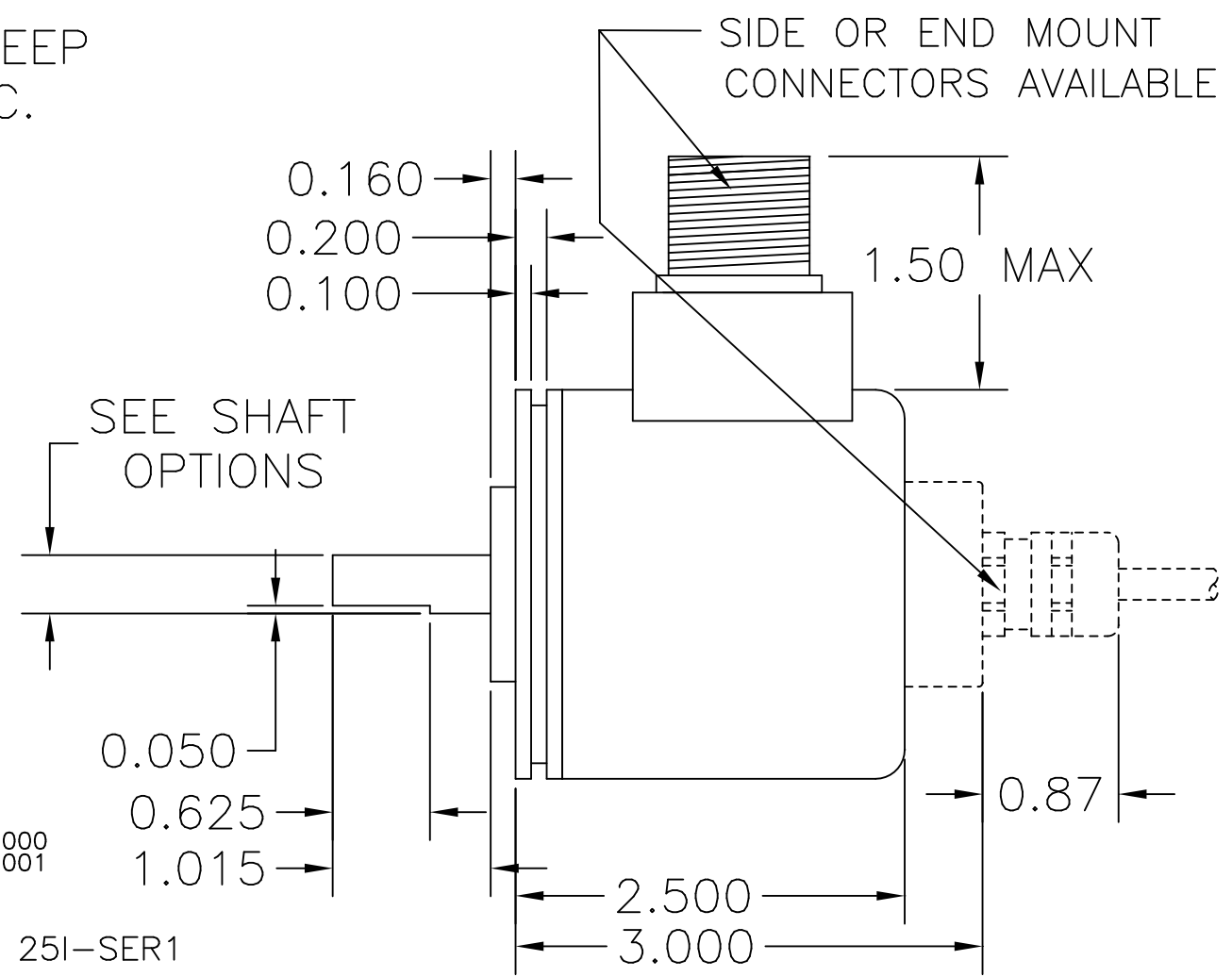
REVISIONS

LTR	DESCRIPTION	DATE
C	ECO #01970 GMA	04/20/04
D	ECO #05464 JS	04/03/08
E	ECO #06403 JP	09/18/12

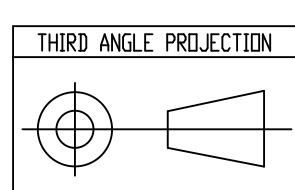
10-32 UNF 0.35 DEEP
6 X 60° Ø1.875 B.C.



Ø1.250^{+0.000}/_{-0.001}
Ø2.500



25I-SER1



ISSUE DATE 4/16/01	TOLERANCE		ENCODER PRODUCTS COMPANY	
NEXT ASSEMBLY	DECIMAL ± .005	INITIAL	DATE	NAME AND TITLE
PREV ASSEMBLY	DECIMAL ± .01	DR	GDB 4/16/01	MODEL 725I SERVO MOUNT
PART NUMBER	ANGULAR ± .1°	CK	QC	DWG NUMBER 25I-SER1
		MFG	PRJ ENG	REV. E
		DWG SIZE	B	SCALE NONE
				SHEET 1 OF 1