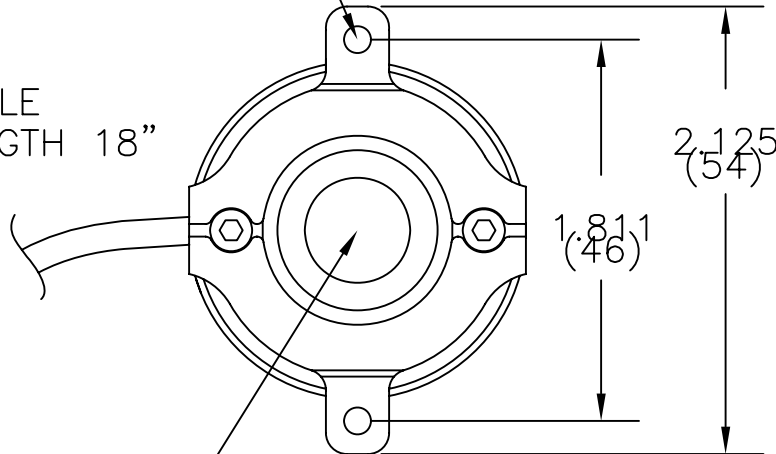


REVISIONS					
LTR	DESCRIPTION	CHK	DATE	APPR	DATE
A	ECO 00509				
B	ECO 00646				
C	ECO 01185				
D	ECO 01567 BSR 9/18/02				

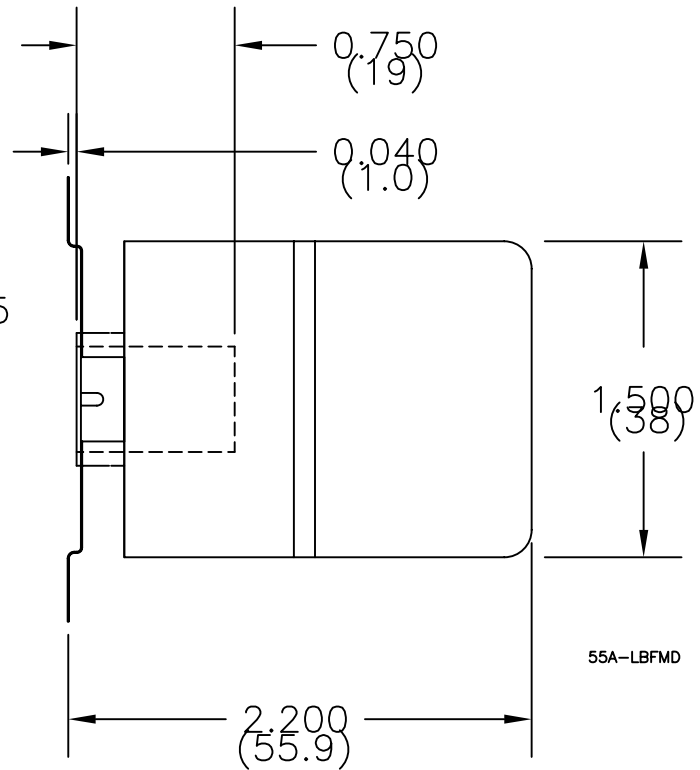
∅0.125 THRU 2x 180°  
FOR #4 OR 3mm  
MOUNTING SCREWS


CABLE  
LENGTH 18"



∅12mm TO ∅0.750  
BORES WITH  
SET SCREWS  
2x 90°

BORE DEPTH



ISSUE DATE	TOLERANCE	 ENCODER PRODUCTS COMPANY			
NEXT ASSEMBLY	DECIMAL ± .005	INITIAL	DATE	NAME AND TITLE	
PREV ASSEMBLY	DECIMAL ± .01	DR	GDB 4/10/01	HOLLOW SHAFT LARGE BORE FLEX MOUNT	
PART NUMBER	ANGULAR ± .1°	CK		DWG NUMBER	REV.
		QC		55A-LBFM	D
		MFG		DWG SIZE	A
		PRJ ENG		SCALE	N/A
				SHEET	1 OF 1