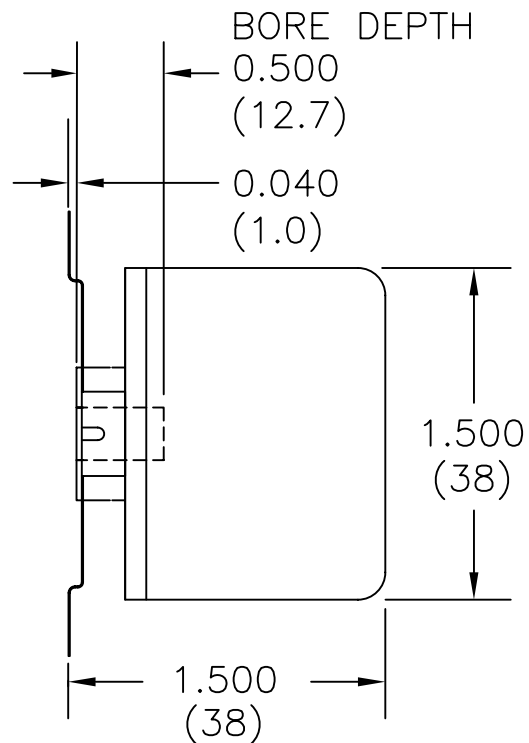
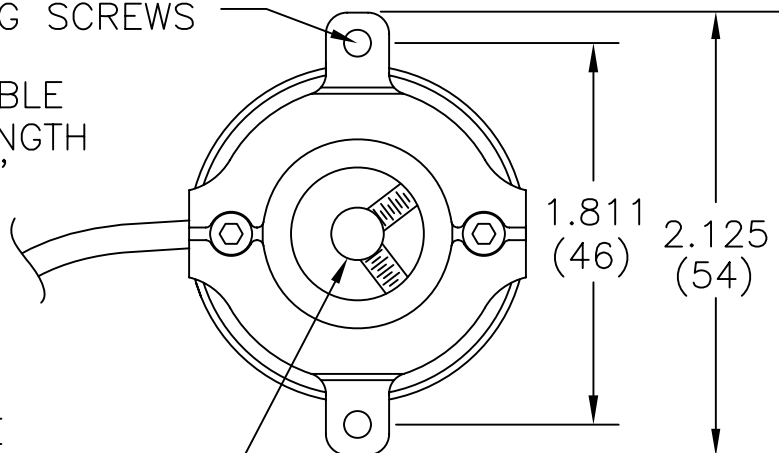


REVISIONS					
LTR	DESCRIPTION	CHK	DATE	APPR	DATE
A	ECO 00509				
B	ECO 00646				
C	ECO 01185				


∅0.125 THRU 2x 180°
FOR #4 OR 3mm
MOUNTING SCREWS

CABLE
LENGTH
18"

SEE BORE
OPTIONS
6-32 SET SCREWS
2x 90°



55A-HSFC

ISSUE DATE	TOLERANCE	 ENCODER PRODUCTS COMPANY			
NEXT ASSEMBLY	DECIMAL ± .005	INITIAL	DATE	NAME AND TITLE	
PREV ASSEMBLY	DECIMAL ± .01	DR	GDB 4/10/01	HOLLOW SHAFT BUTTERFLY MOUNT	
PART NUMBER	ANGULAR ± .1°	CK		DWG NUMBER	REV.
		QC		55A-HSFC	C
		MFG		DWG SIZE	A
		PRJ ENG		SCALE	N/A
				SHEET	1 OF 1