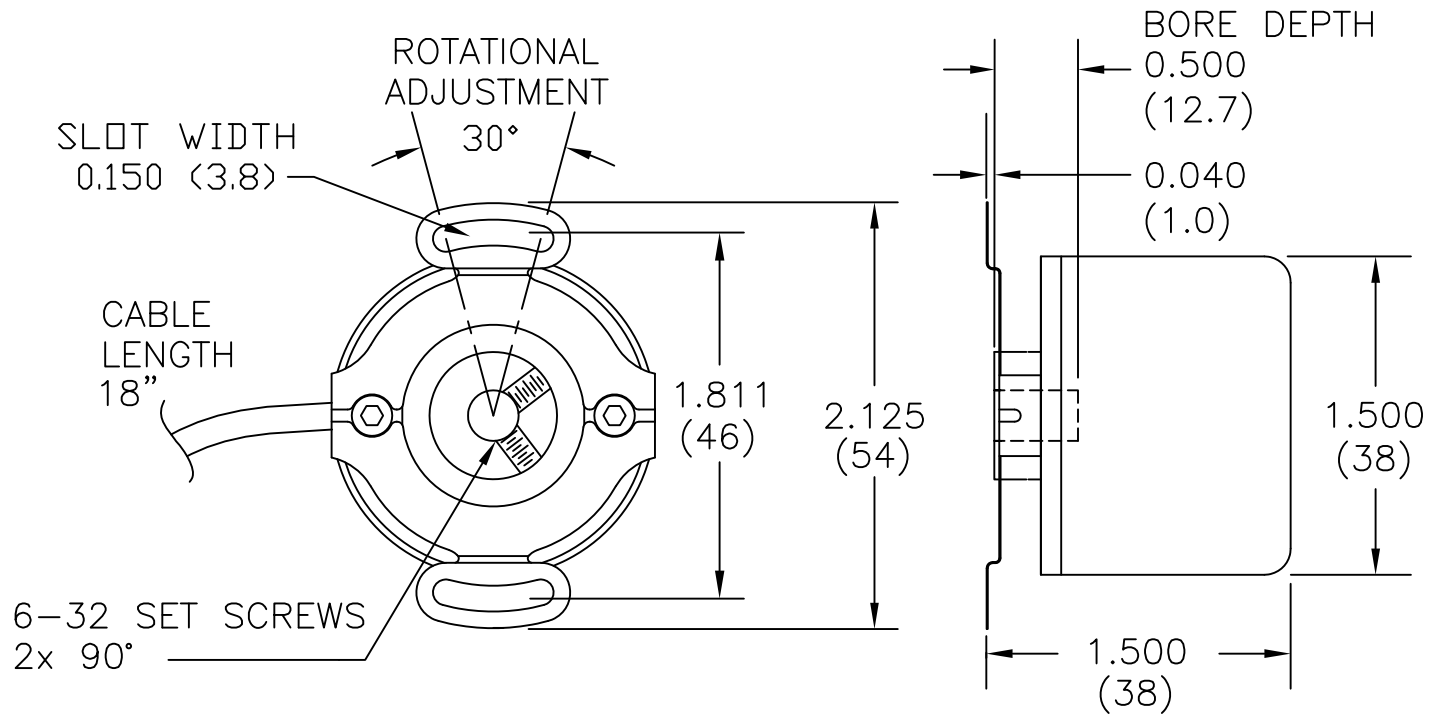



REVISIONS		
LTR	DESCRIPTION	DATE
A	ECD 01185	
B	ECD 06703 JP	4-17-14



55FLEXADA

ISSUE DATE	TOLERANCE	 ENCODER PRODUCTS COMPANY	
NEXT ASSEMBLY	DECIMAL ± .005	INITIAL	DATE
PREV ASSEMBLY	DECIMAL ± .01	DR	NAME AND TITLE HOLLOW SHAFT BUTTERFLY MOUNT
PART NUMBER	ANGULAR ± .1°	CK	
		QC	DWG NUMBER 55FLEXAD
		MFG	REV. B
		PRJ ENG	DWG SIZE A
			SCALE N/A
			SHEET 1 OF 1