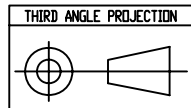
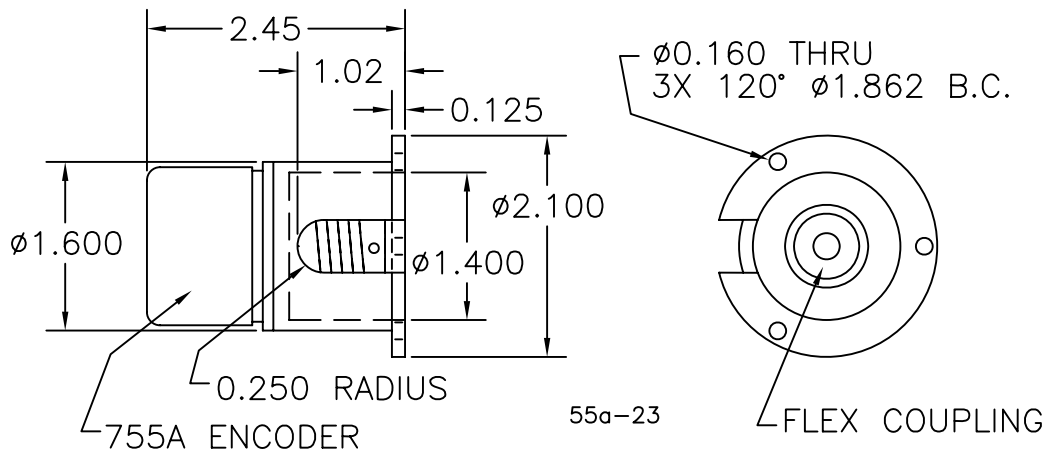



REVISIONS		
LTR	DESCRIPTION	DATE
-	INITIAL RELEASE	
A	ECO #01185	
B	ECO #01966 GMA	04/05/04



ISSUE DATE	TOLERANCE	 ENCODER PRODUCTS COMPANY		
NEXT ASSEMBLY	DECIMAL ± .005	INITIAL	DATE	NAME AND TITLE
PREV ASSEMBLY	DECIMAL ± .01	DR	GDB	MOUNTING ADAPTOR
PART NUMBER	ANGULAR ± .1°	CK		755A TO NEMA SIZE 23 MOTOR
		QC		DWG NUMBER
		MFG		55a-23
		PRJ ENG		REV. B
		DWG SIZE	B	SCALE NONE
				SHEET 1 OF 1