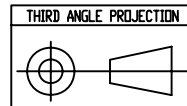
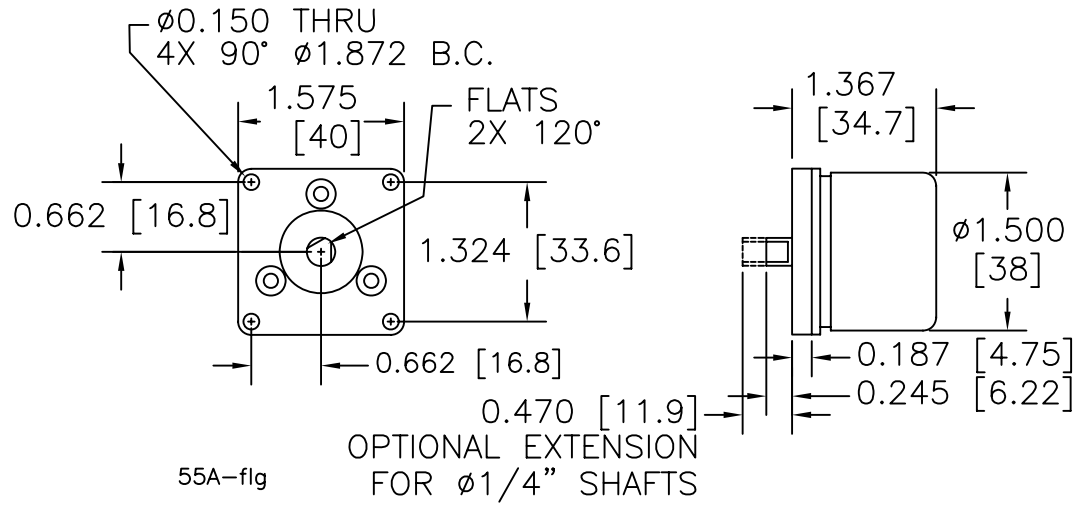


REVISIONS		
LTR	DESCRIPTION	DATE
F	ECO #00646	
G	ECO #01006	
H	ECO #01185	
I	ECO #01965 GMA	04/07/04



ISSUE DATE	TOLERANCE	ENCODER PRODUCTS COMPANY	
NEXT ASSEMBLY	DECIMAL $\pm .005$	INITIAL DATE	NAME AND TITLE
PREV ASSEMBLY	DECIMAL $\pm .01$	DR GDB 5/25/00	MODEL 755A MOUNTING FLANGE (MF)
PART NUMBER	ANGULAR $\pm .1^\circ$	CK	DWG NUMBER
		QC	55A-flg
		MFG	REV. I
		PRJ ENG	DWG SIZE B
			SCALE NONE
			SHEET 1 OF 1