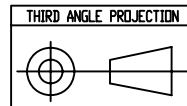
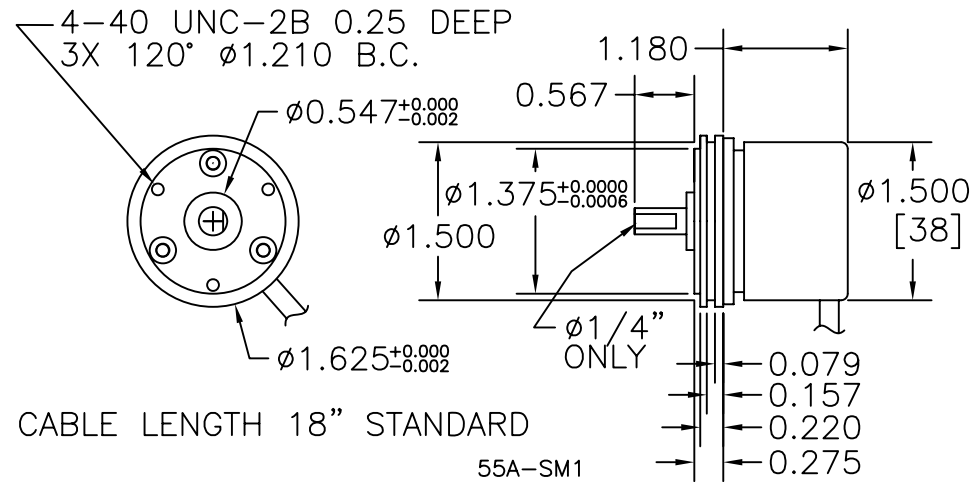



REVISIONS		
LTR	DESCRIPTION	DATE
A	ECO #00833	
B	ECO #01185	
C	ECO #01965 GMA	04/06/04



ISSUE DATE	TOLERANCE	 ENCODER PRODUCTS COMPANY	
NEXT ASSEMBLY	DECIMAL ± .005	INITIAL	DATE
PREV ASSEMBLY	DECIMAL ± .01	DR	GDB
PART NUMBER	ANGULAR ± .1°	CK	
		QC	
		MFG	
		PRJ ENG	
		NAME AND TITLE	
		MODEL 755A SERVO MOUNT (S1)	
		DWG NUMBER	
		55A-SM1	
		REV. C	
		DWG SIZE B	SCALE NONE
		SHEET 1 OF 1	