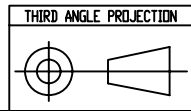
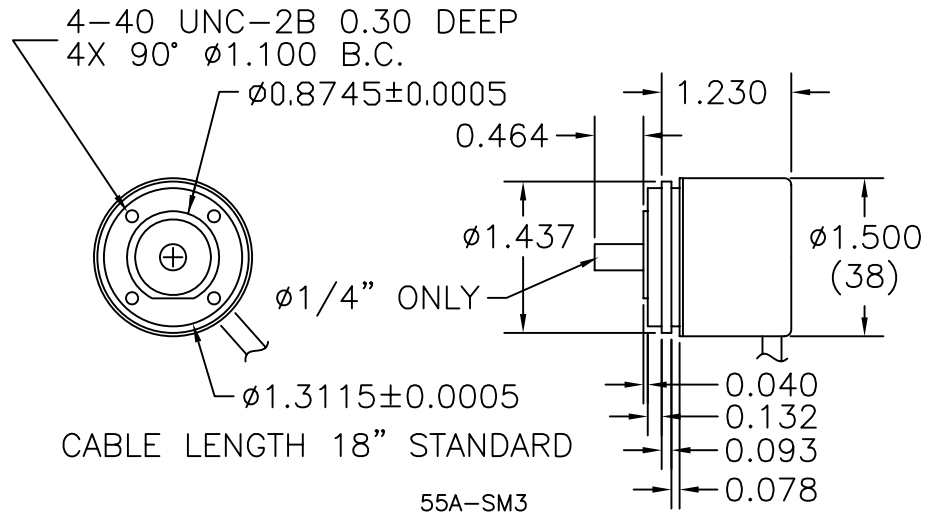



REVISIONS		
LTR	DESCRIPTION	DATE
A	ECO #00510	
B	ECO #00833	
C	ECO #01185	
D	ECO #01965 GMA	04/06/04
E	ECO #02655 NNP	08/16/06



ISSUE DATE	TOLERANCE	 <b>ENCODER PRODUCTS COMPANY</b>	
NEXT ASSEMBLY	DECIMAL $\pm$ .005	INITIAL	DATE
PREV ASSEMBLY	DECIMAL $\pm$ .01	DR GDB	10/4/99
PART NUMBER	ANGULAR $\pm$ .1°	CK	QC
		MFG	
		PRJ ENG	
		NAME AND TITLE	
		MODEL 755A SERVO MOUNT (S3)	
		DWG NUMBER	
		55A-SM3	
		REV.	E
		DWG SIZE	B
		SCALE	NONE
		SHEET	1 OF 1